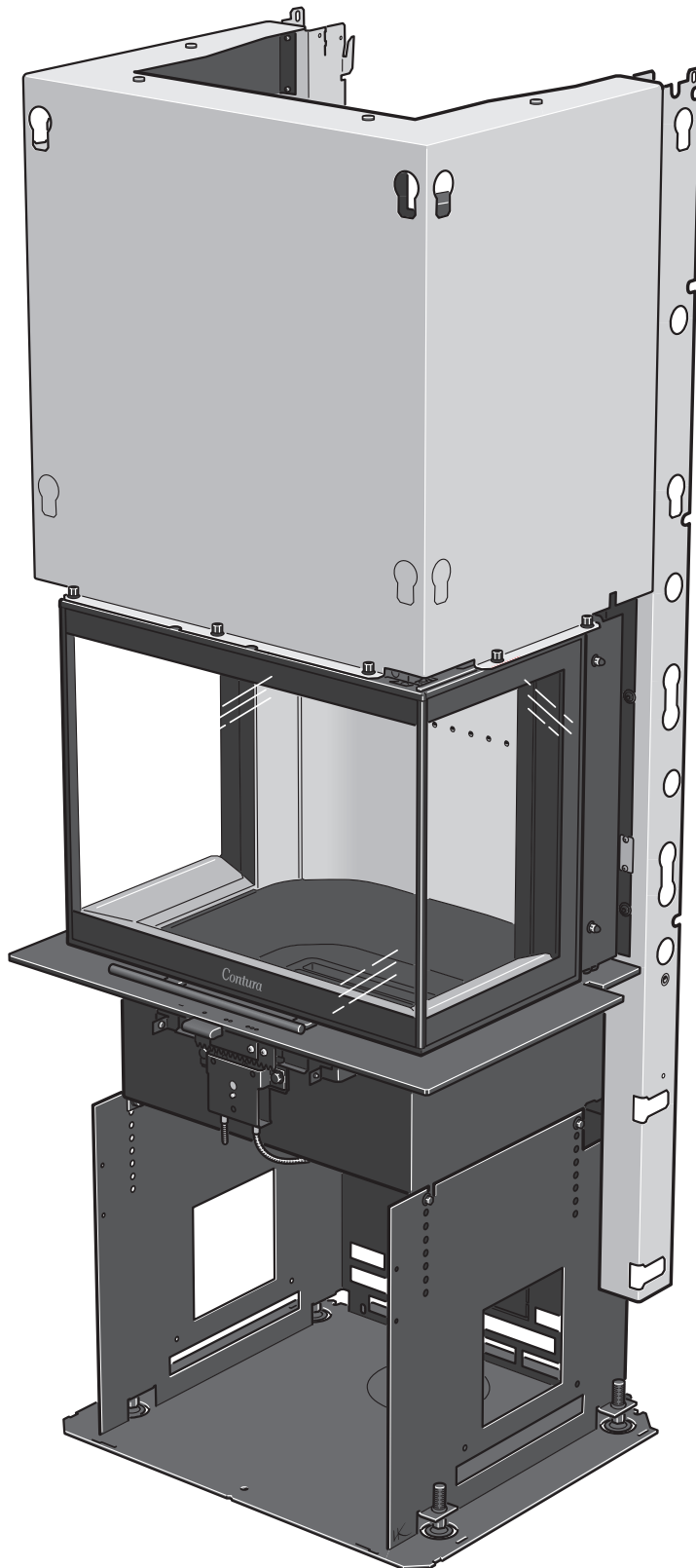


Service Manual

Ci50 / Ci60



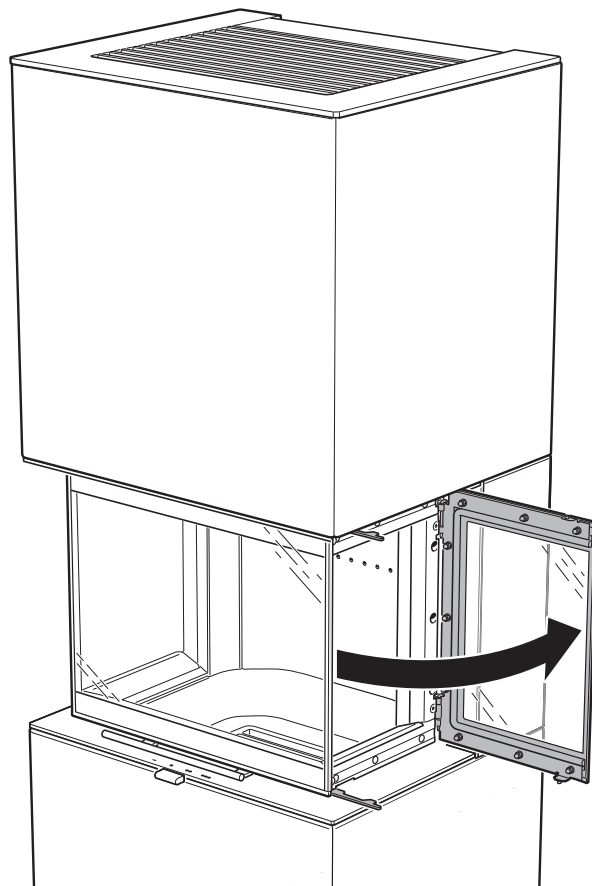
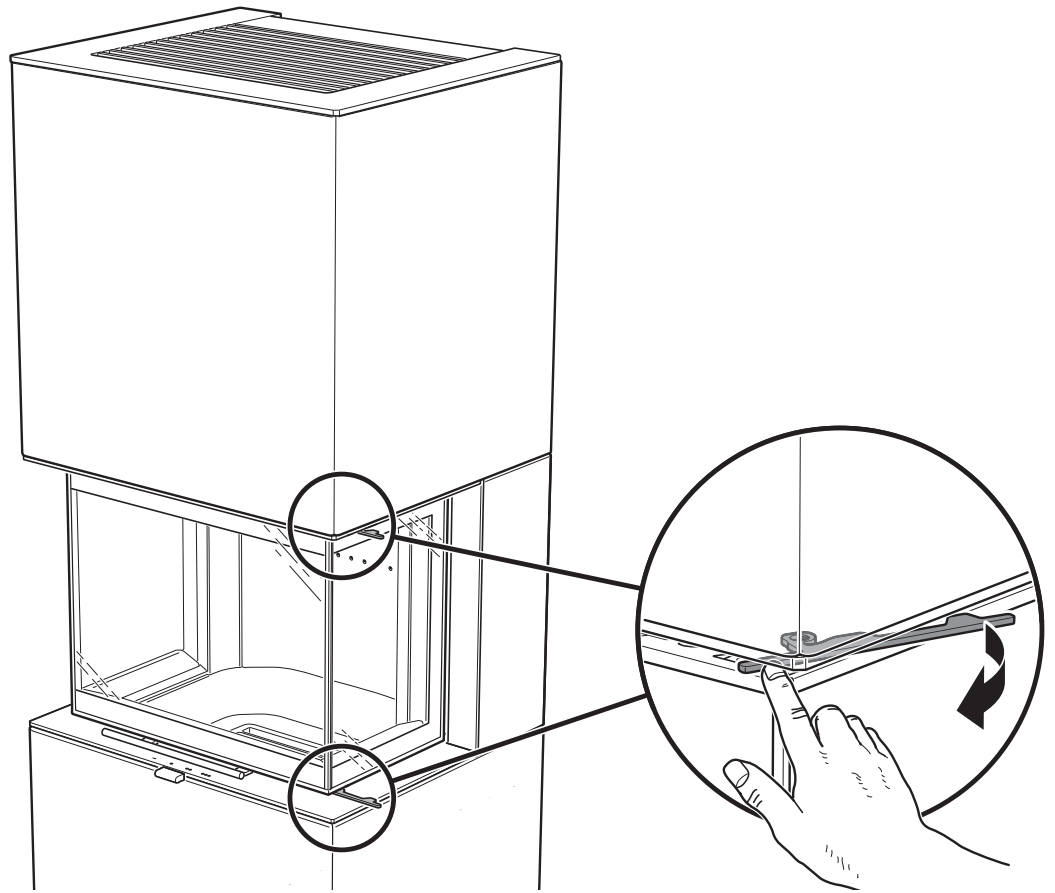
058105
058447

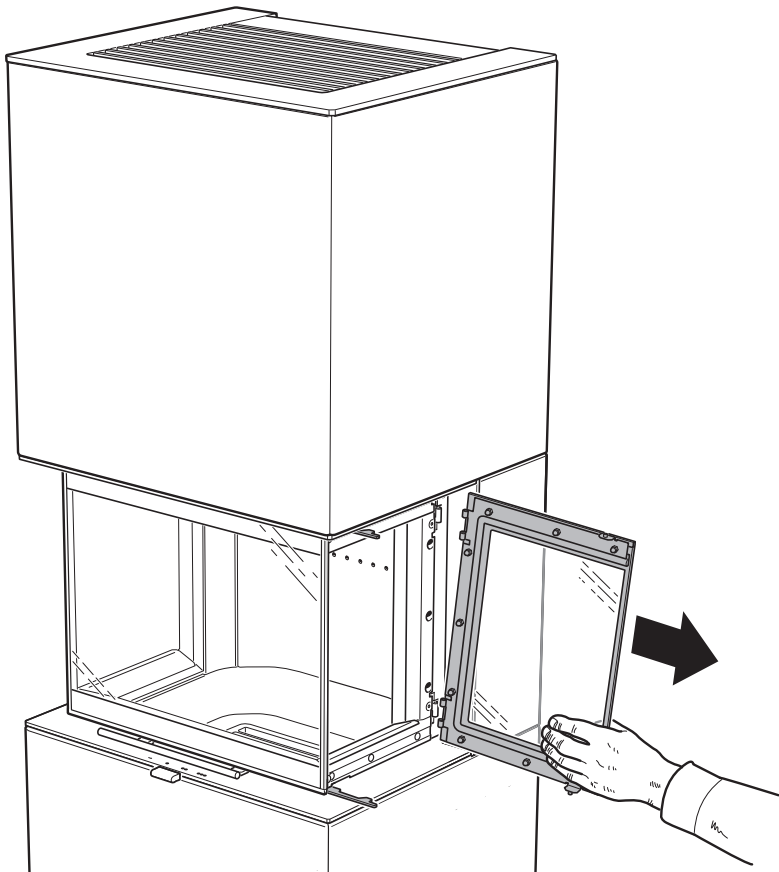
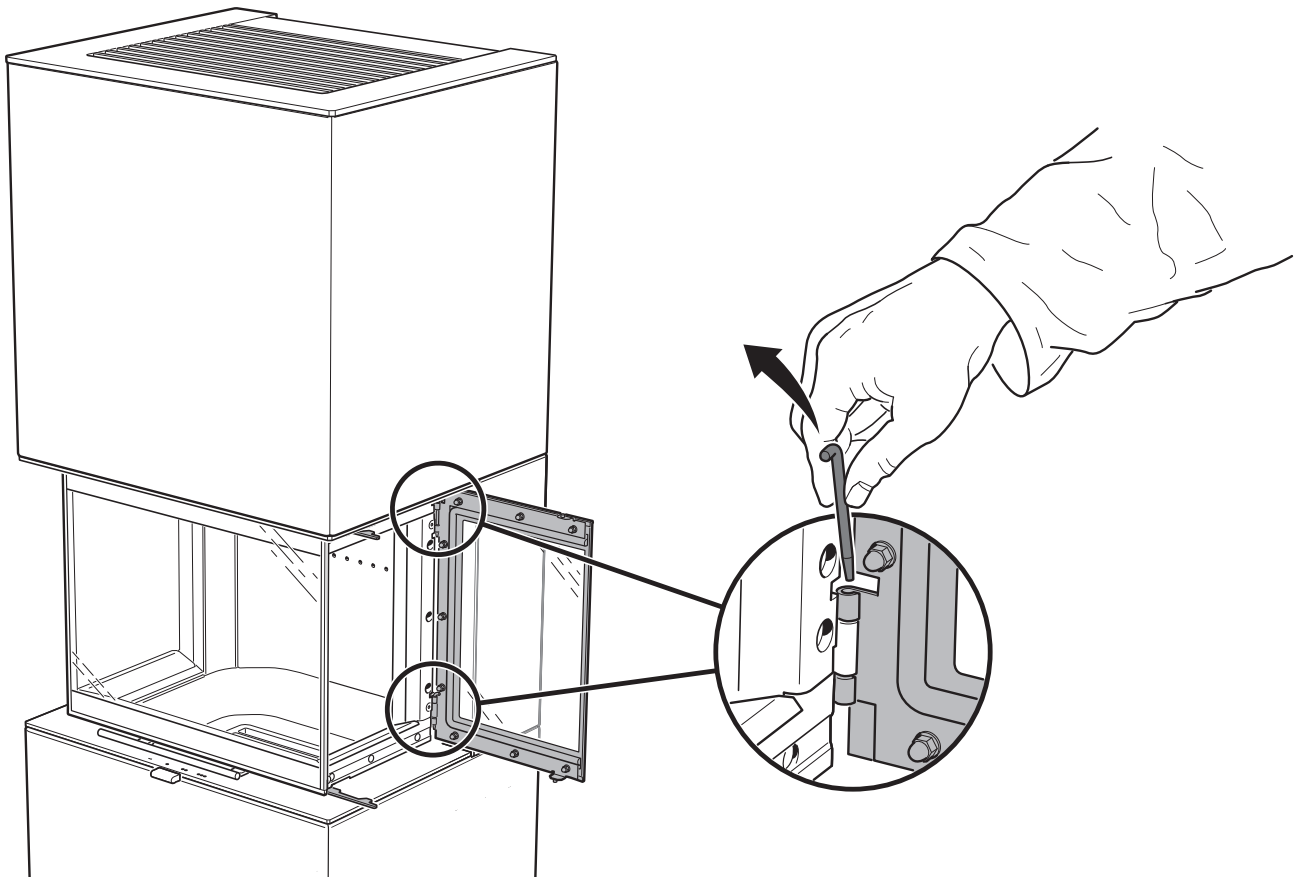
Contura

Table of contents

1. Replace side glass	2
2. Replace door	5
3. Assemble Door lining	8
4. Replace gasket back	10
5. Replace Guillotine mechanism	11
6. Replace damper	12
7. Replace wire	16

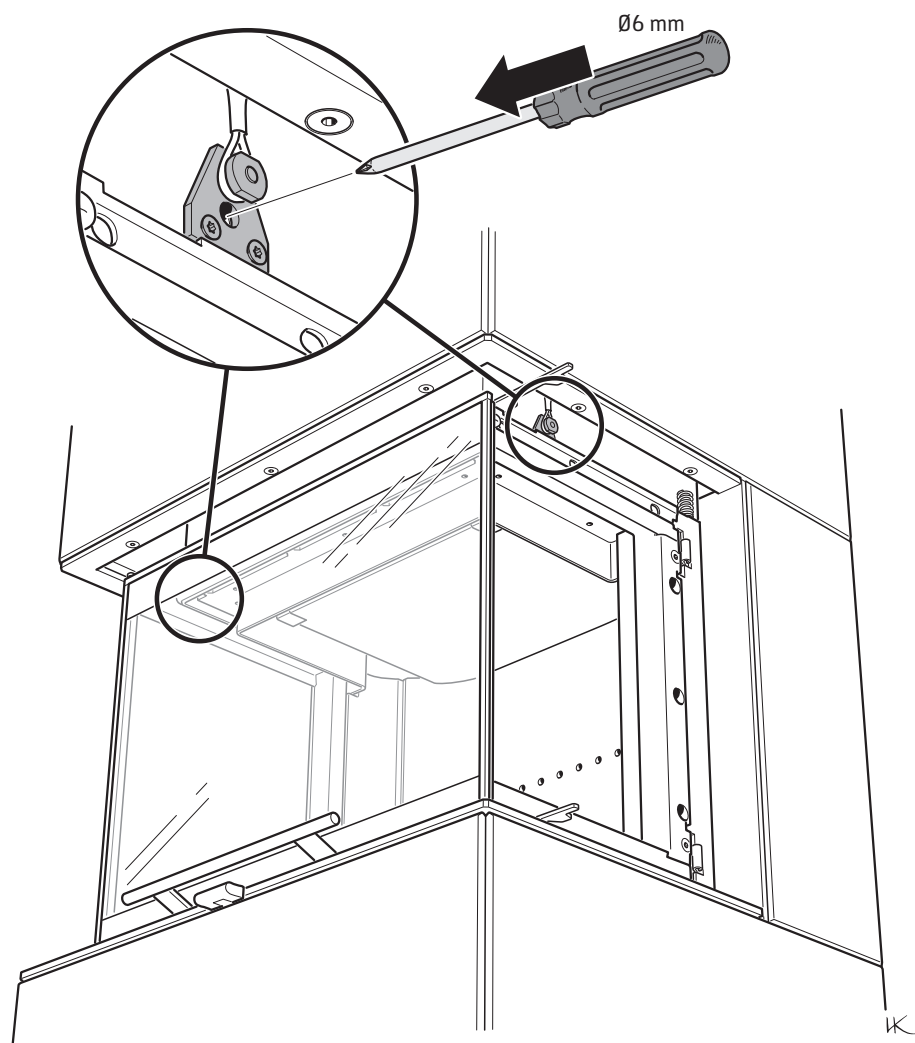
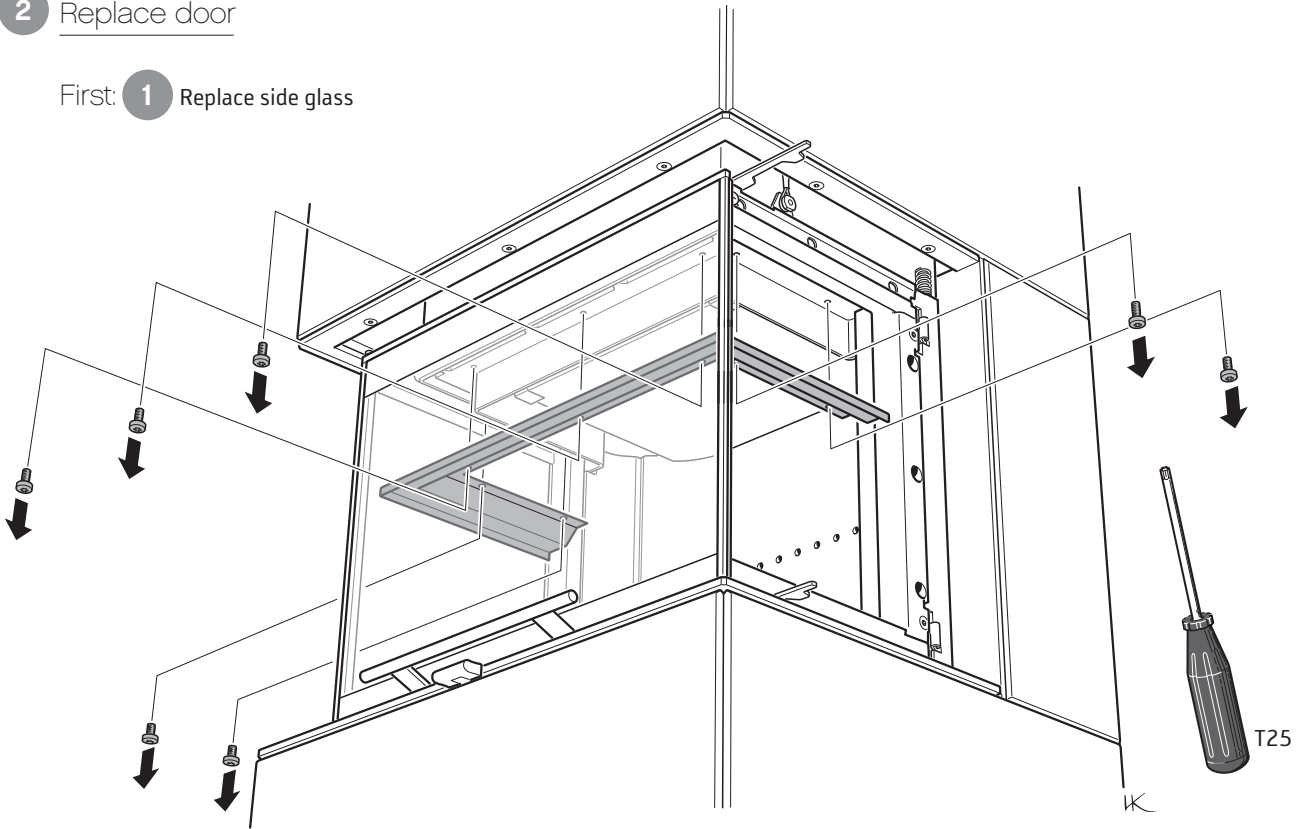
1 Replace side glass

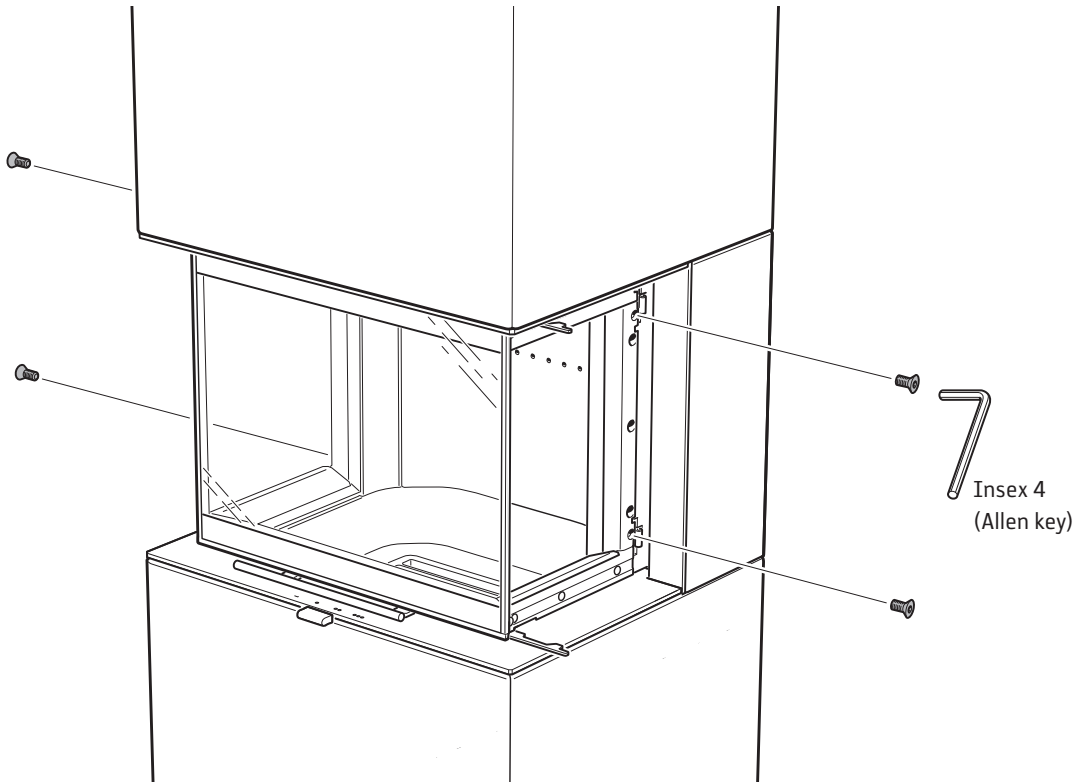
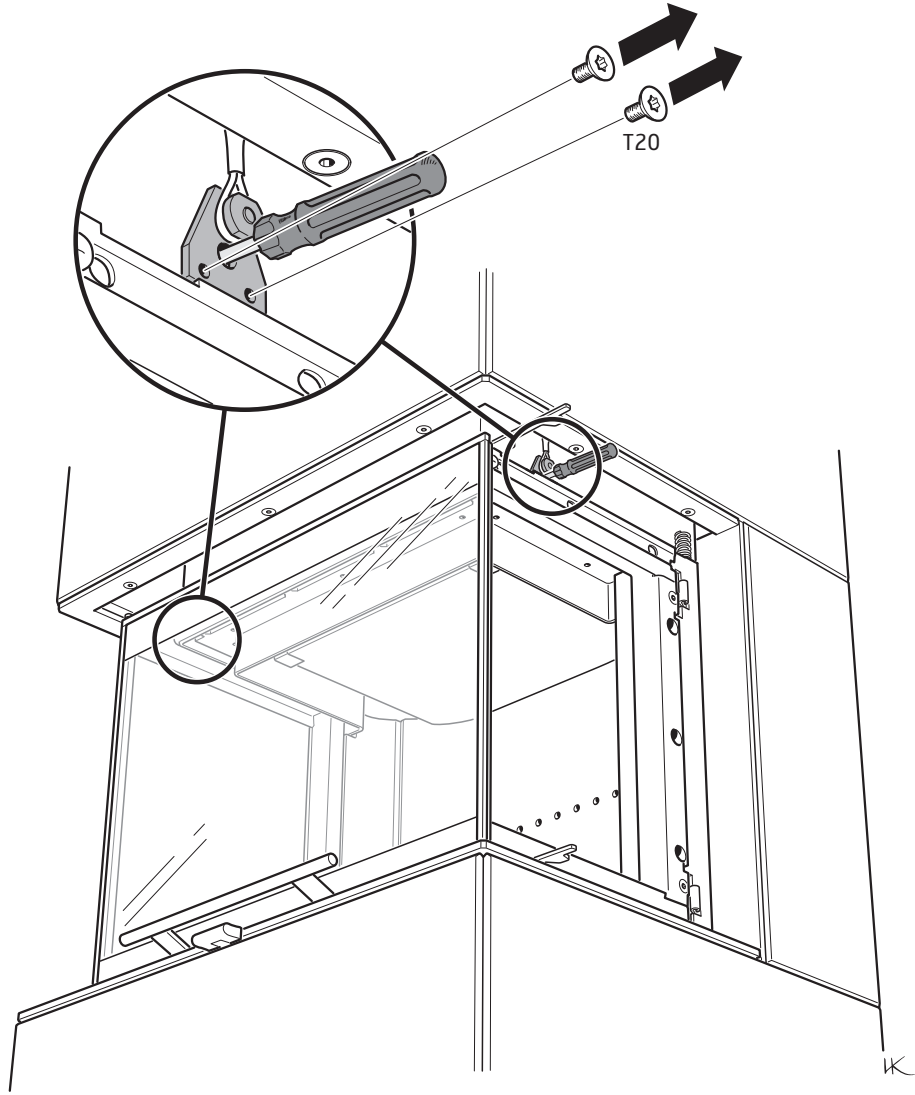


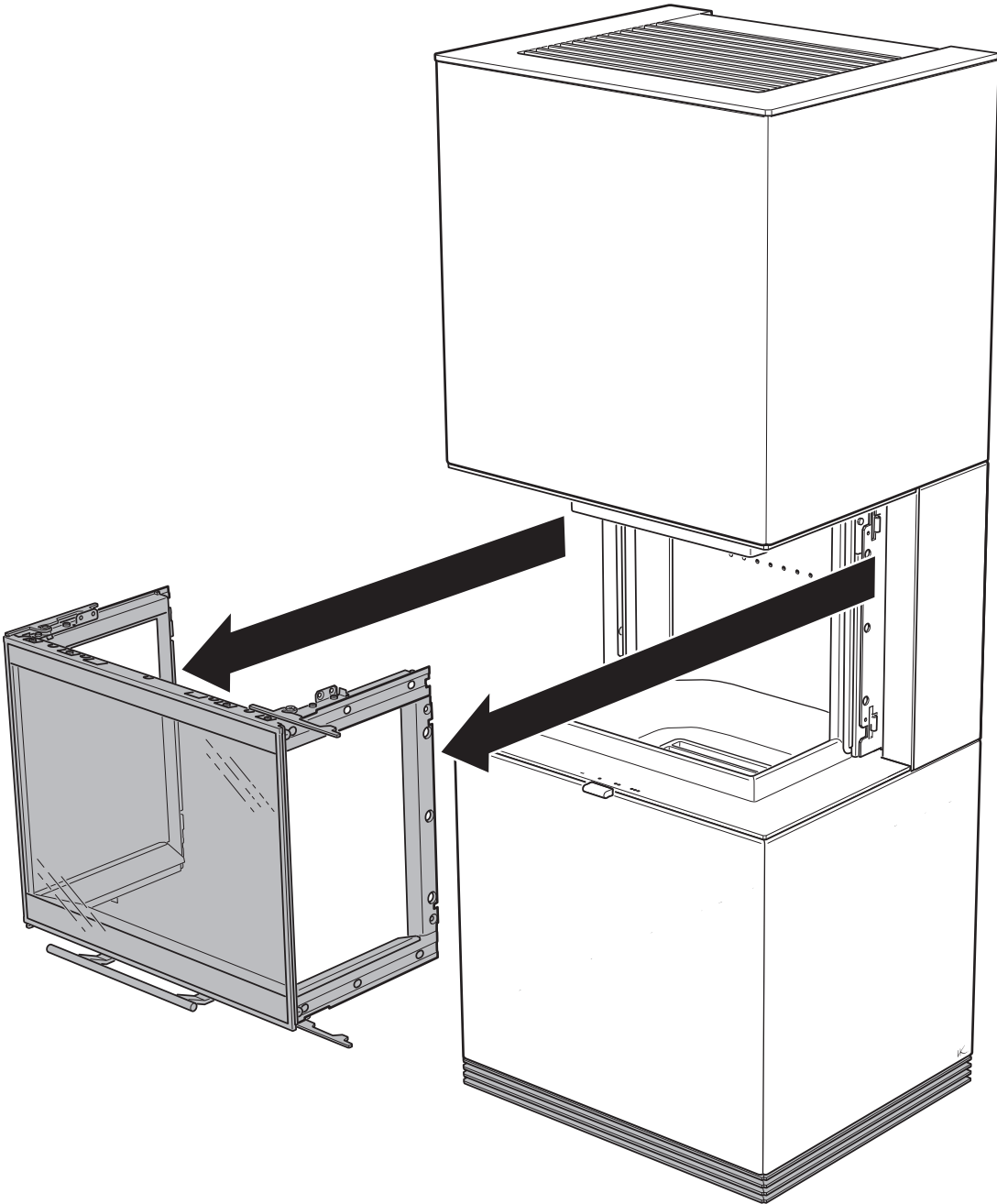


2 Replace door

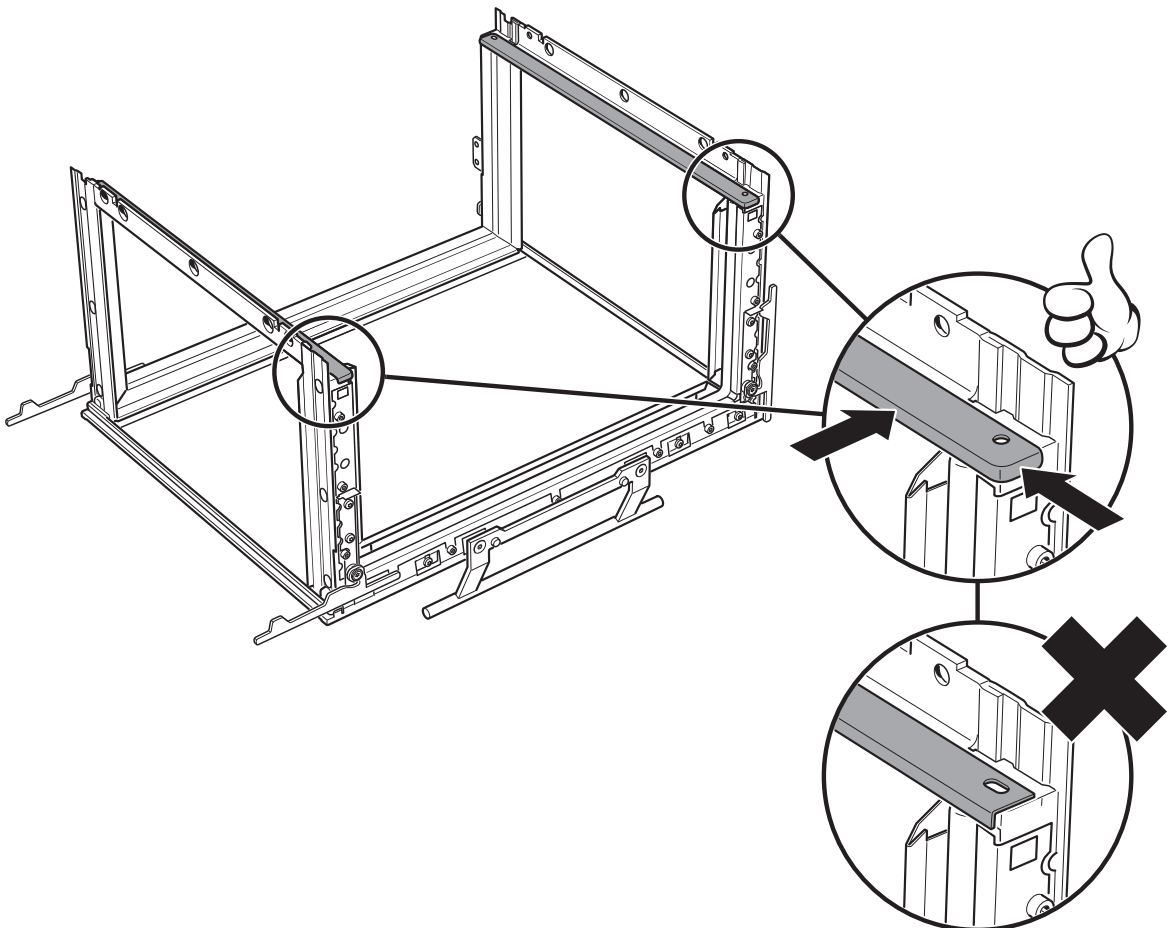
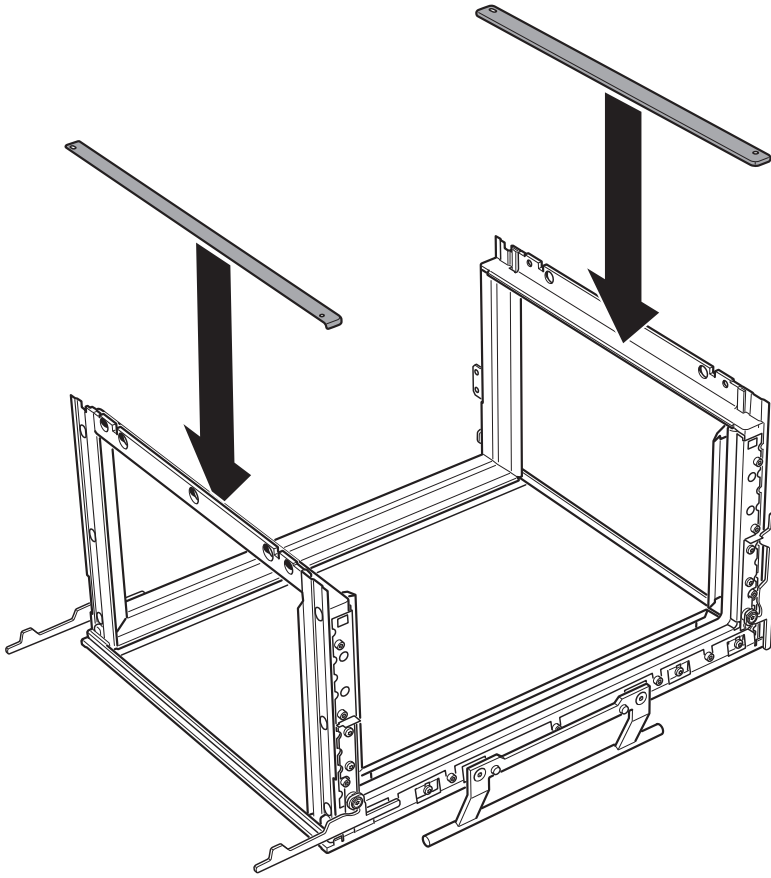
First: 1 Replace side glass

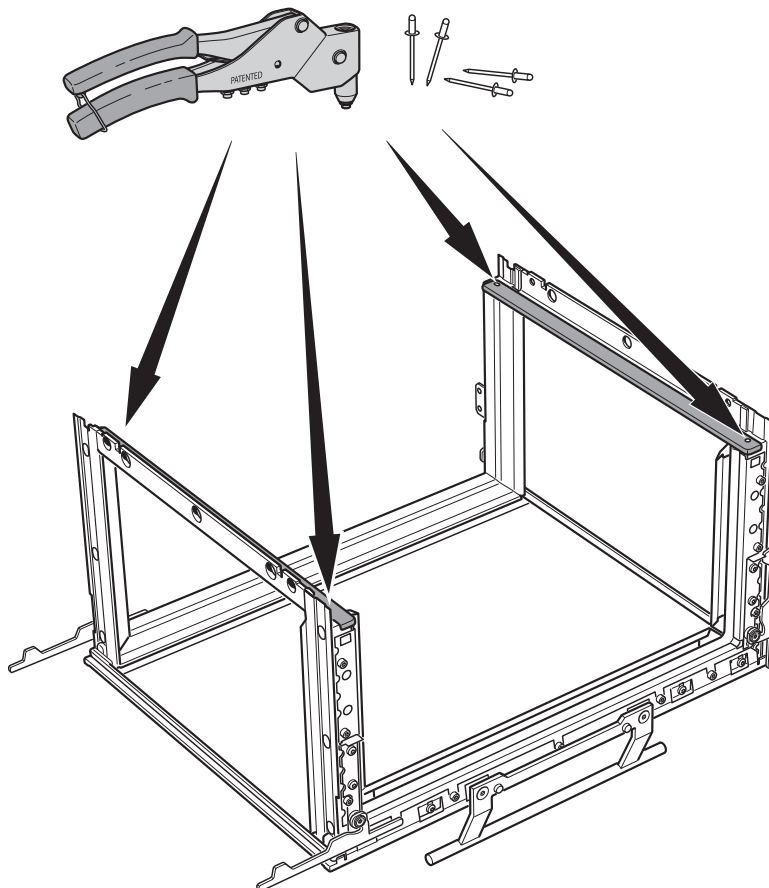
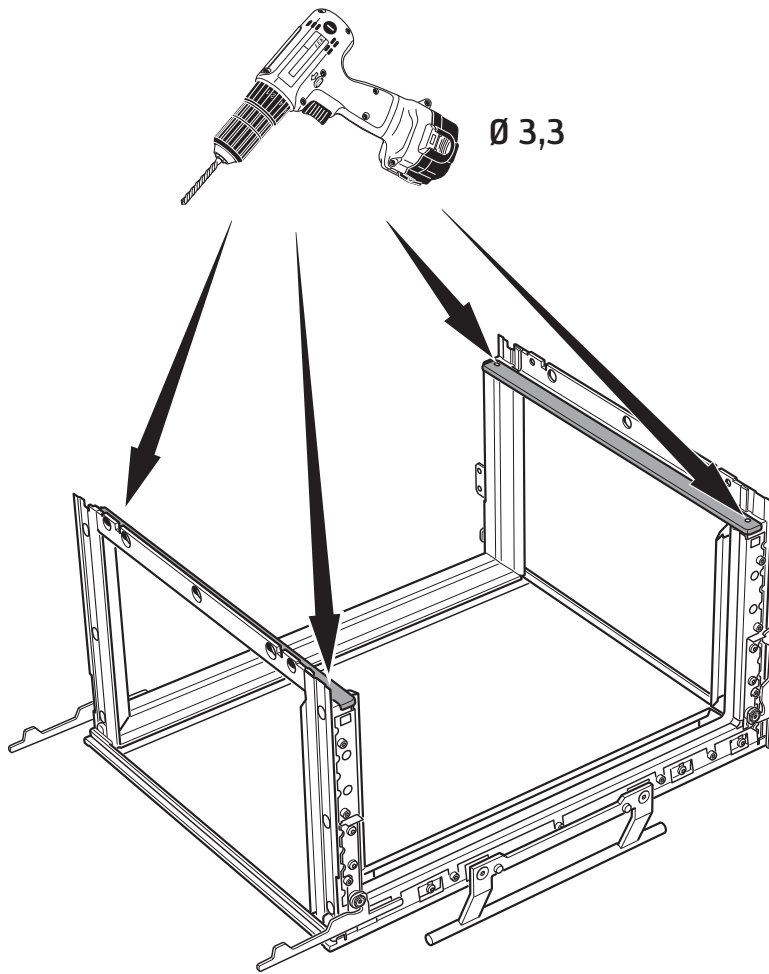




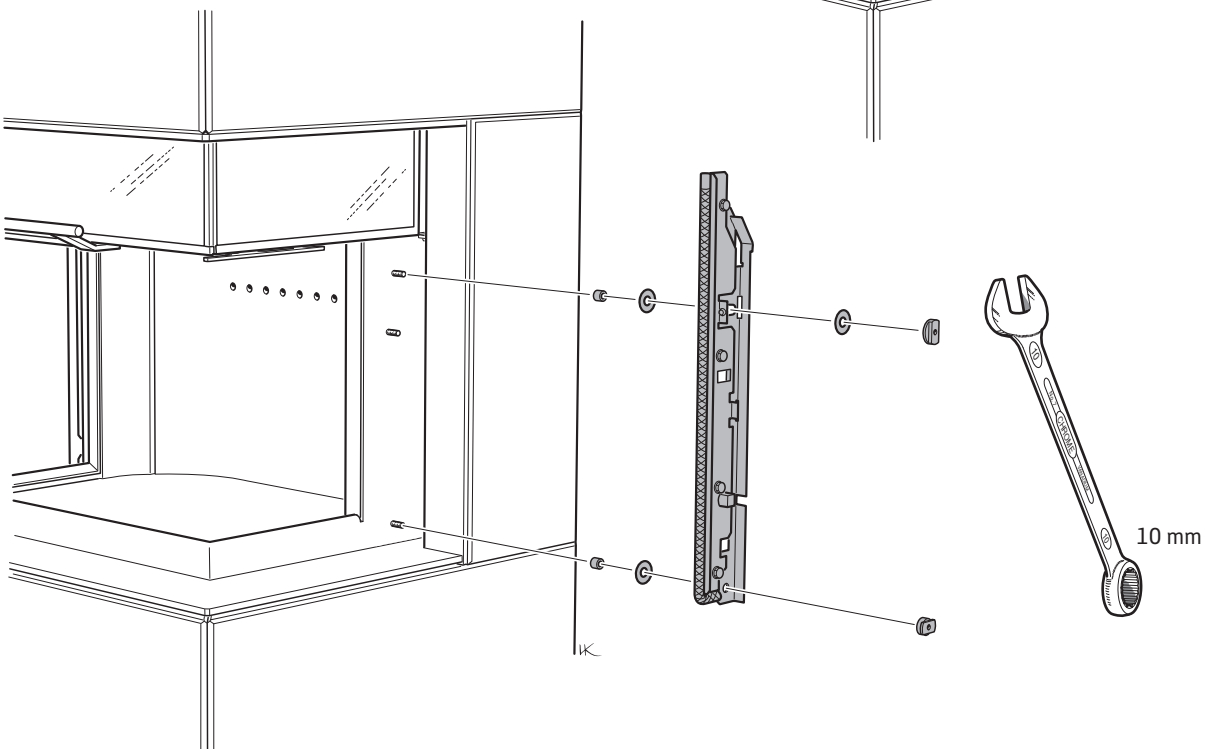
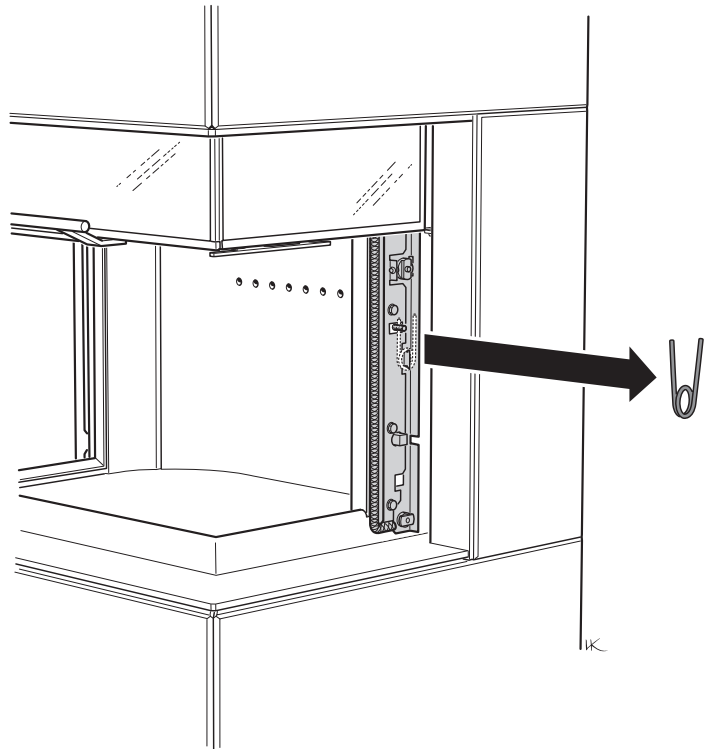
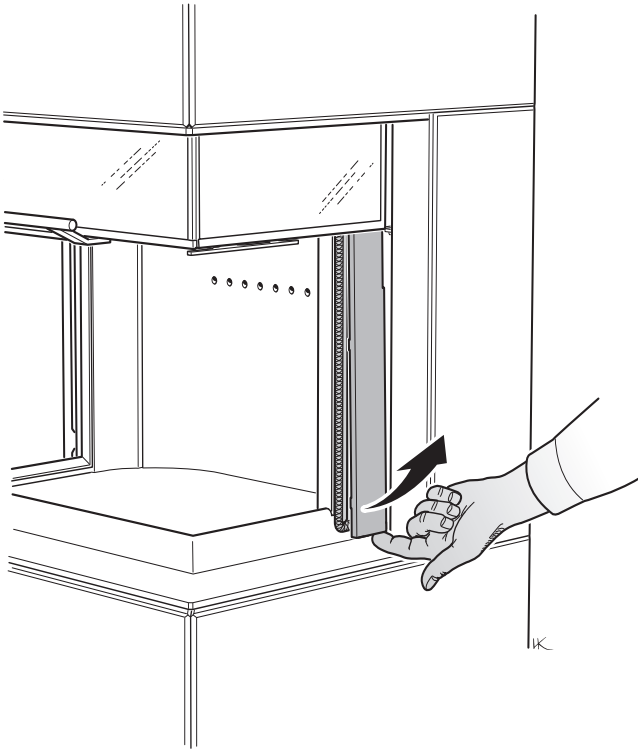


3 Assemble Door lining



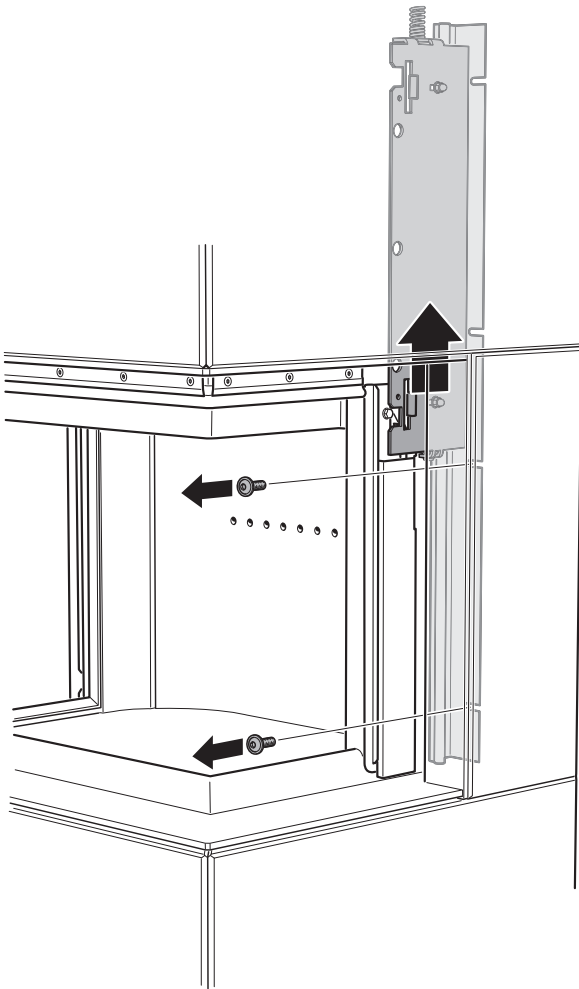



4 Replace gasket back

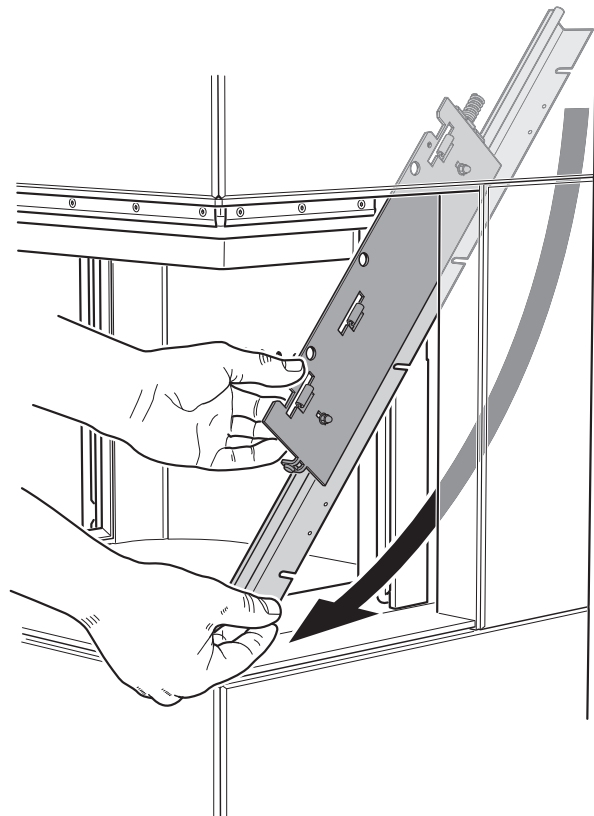


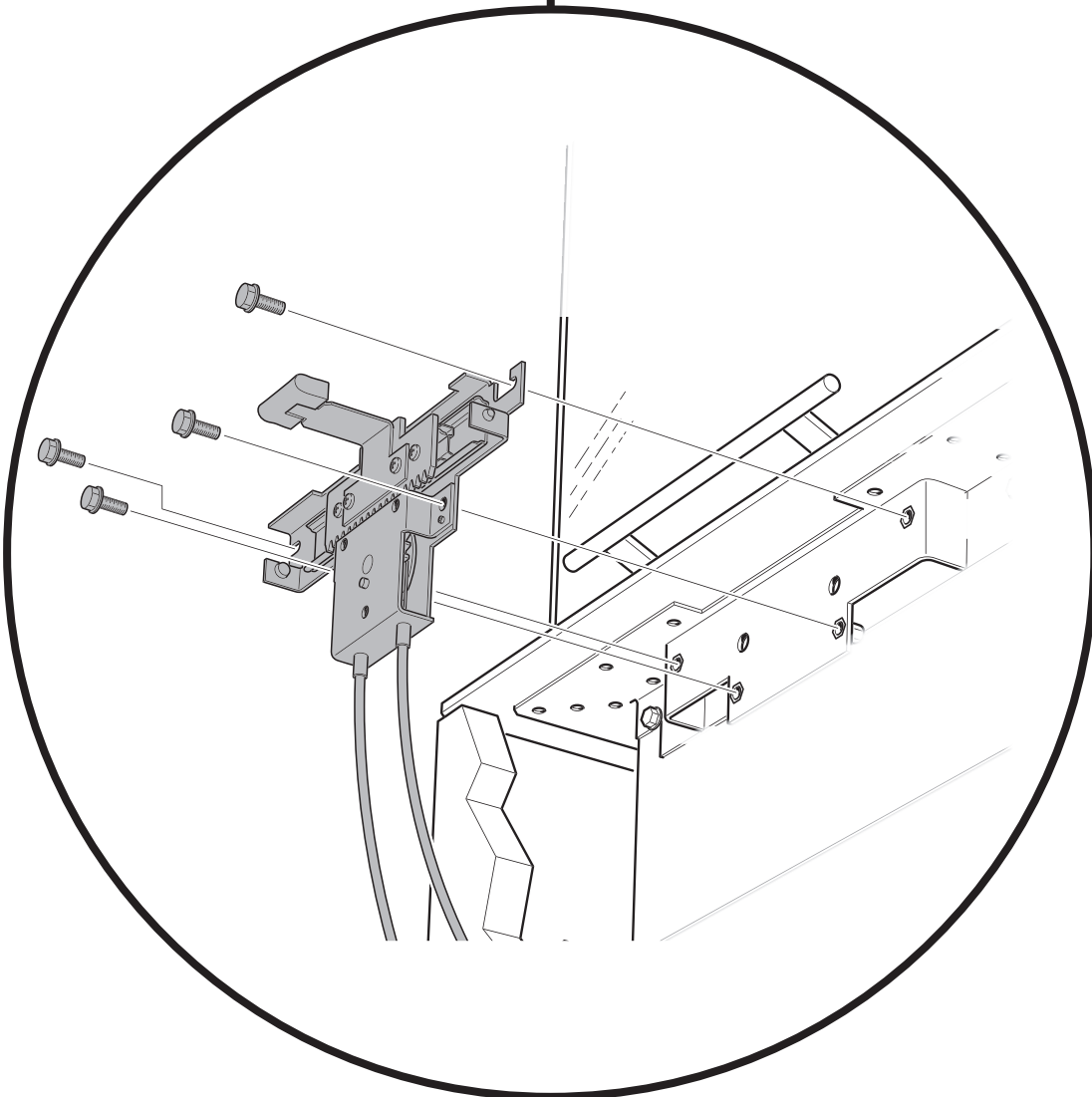
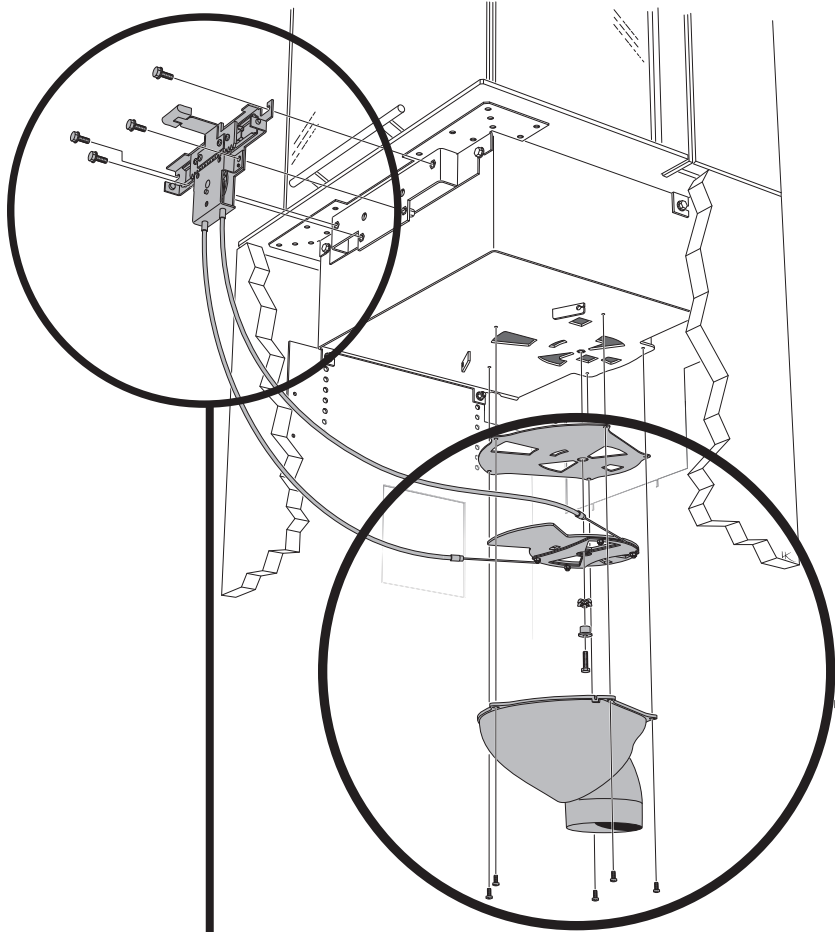
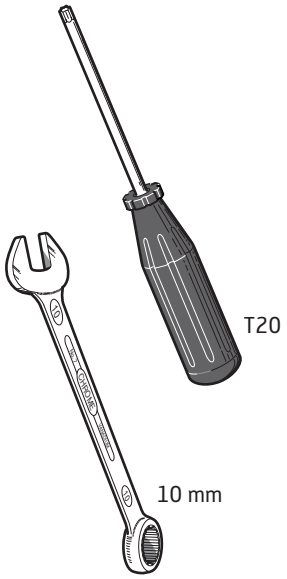
5 Replace Guillotine mechanism

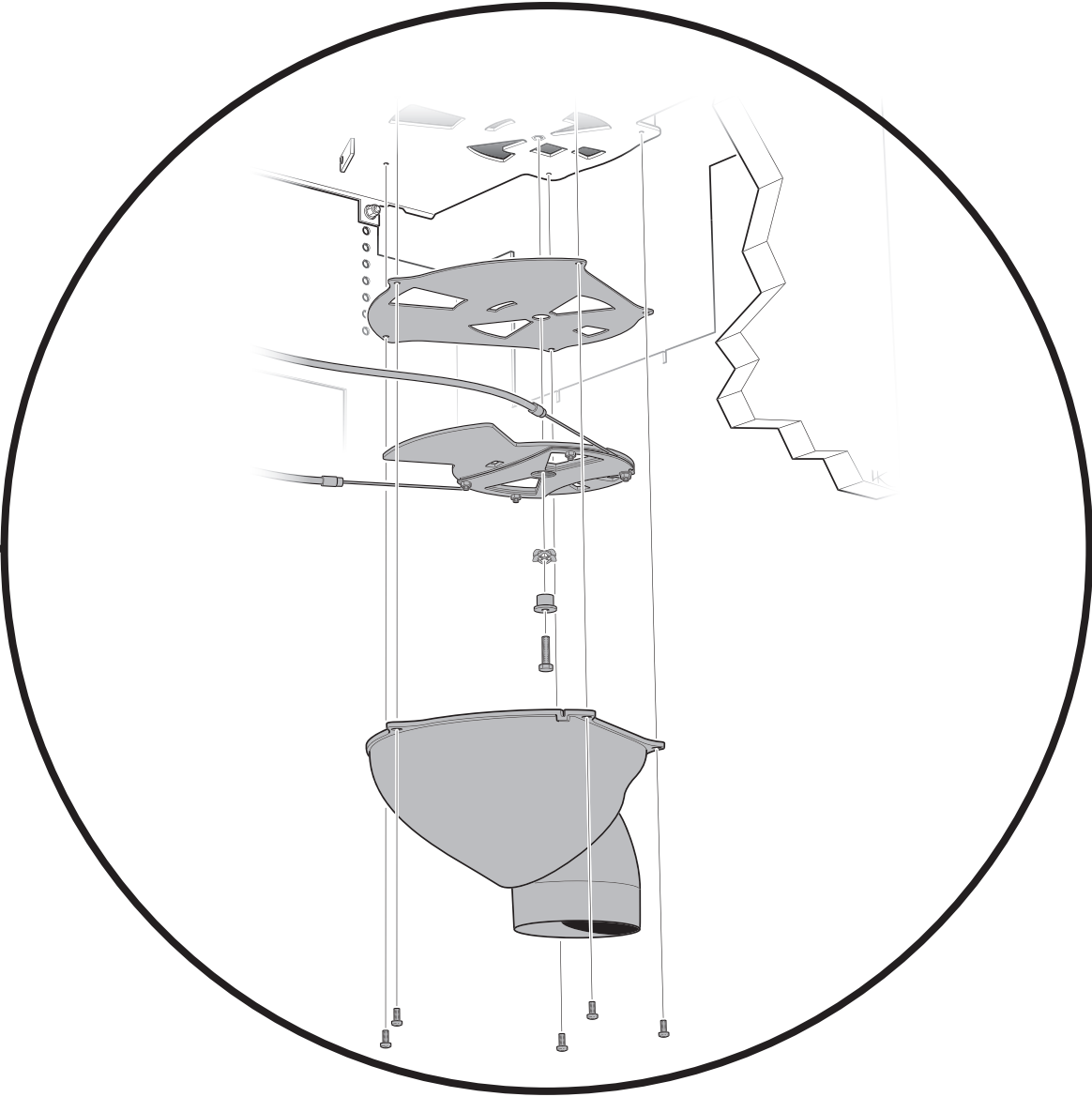
- First:
- 1 Replace side glass
 - 2 Replace door
 - 4 Replace gasket back

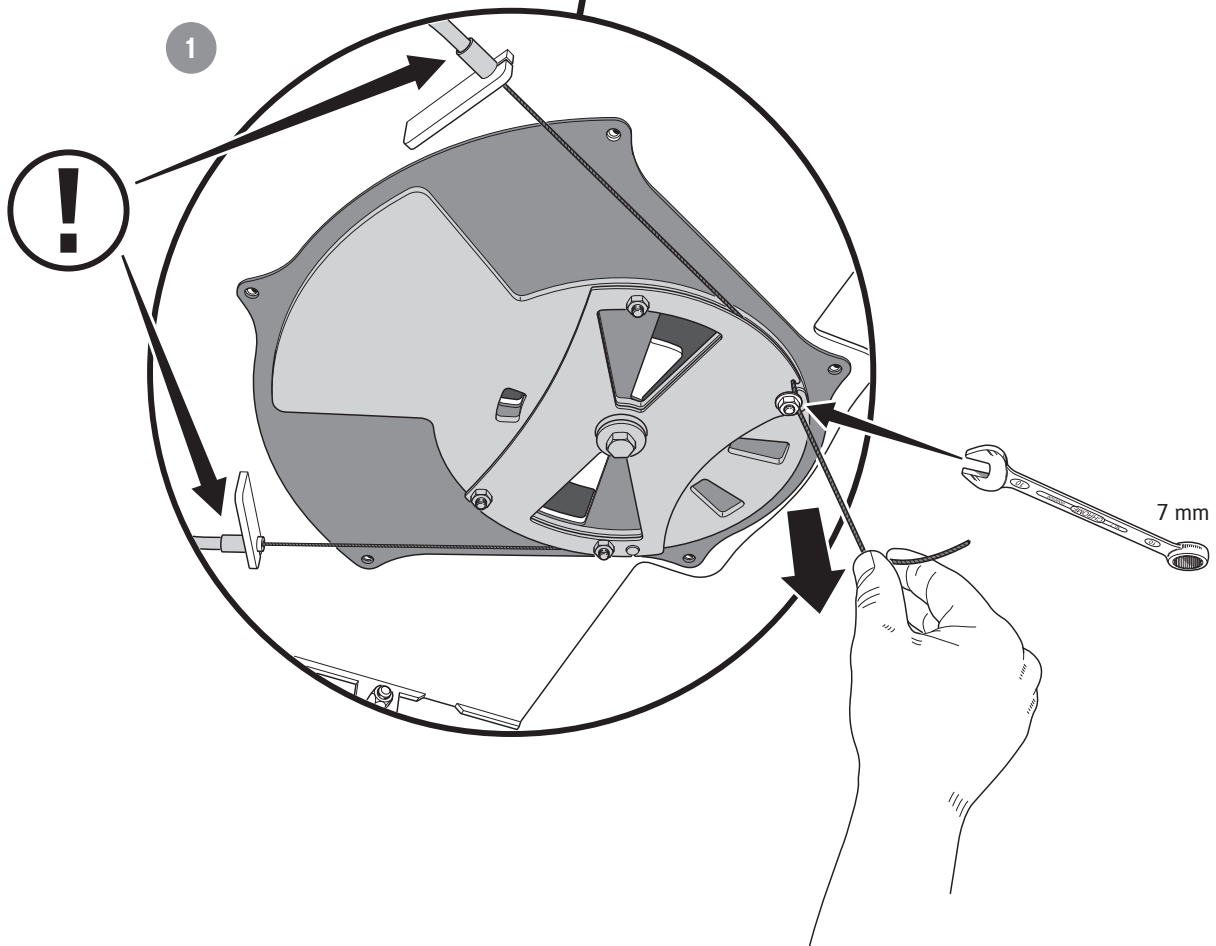
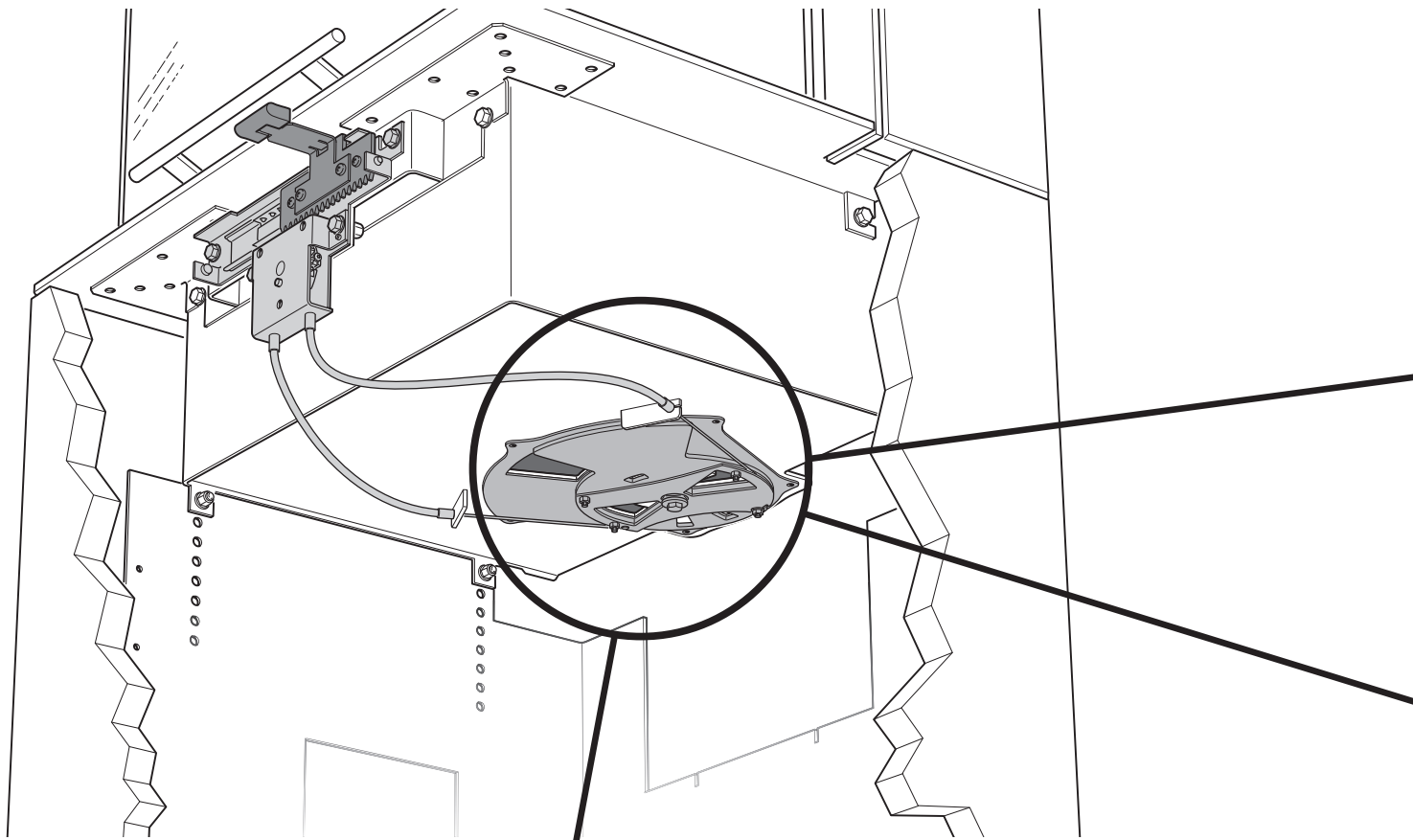


 Insex 4
(Allen key)

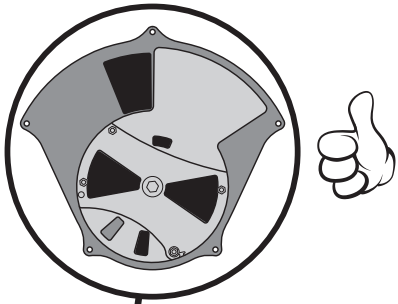
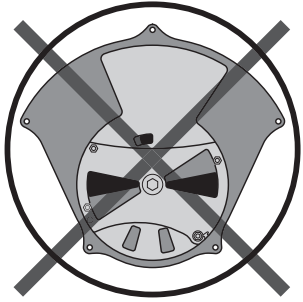
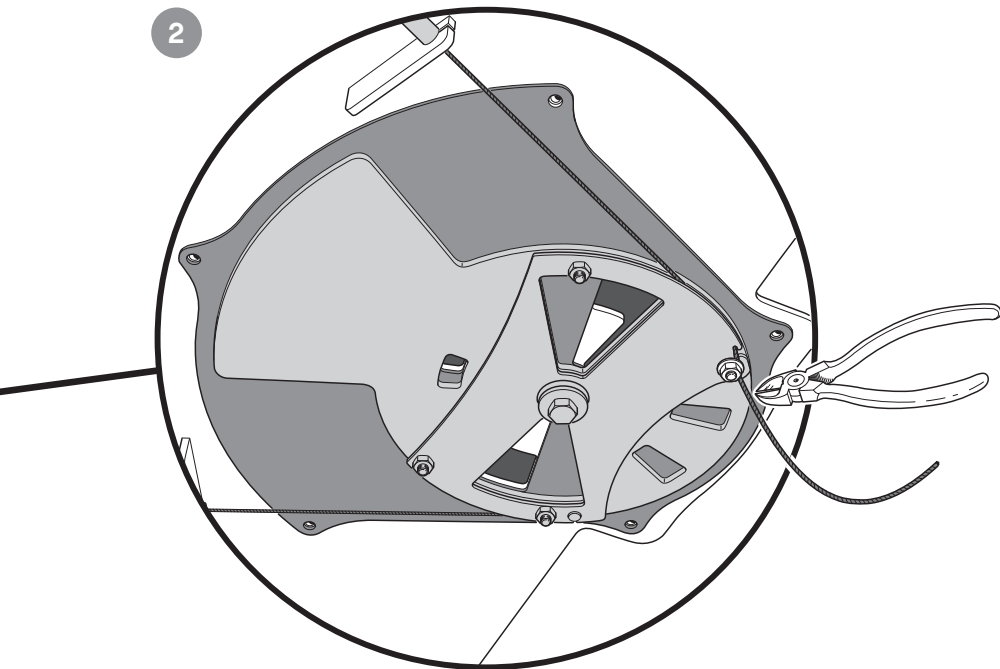


6 Replace damper

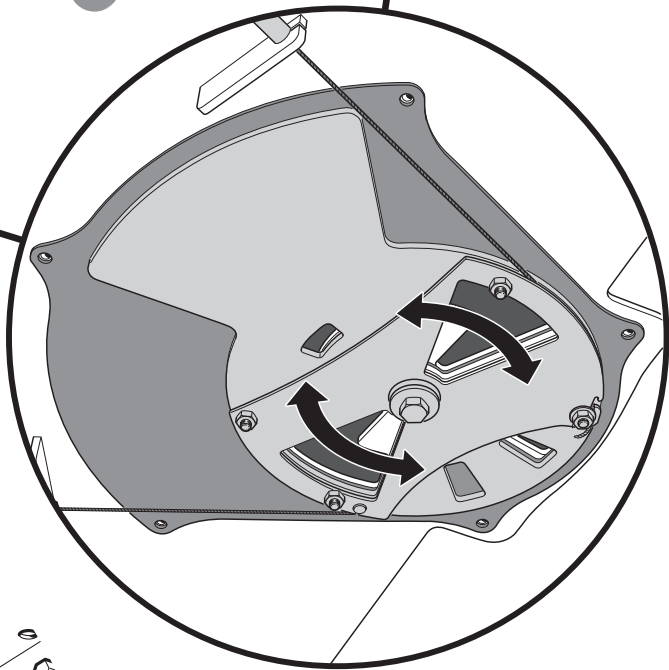




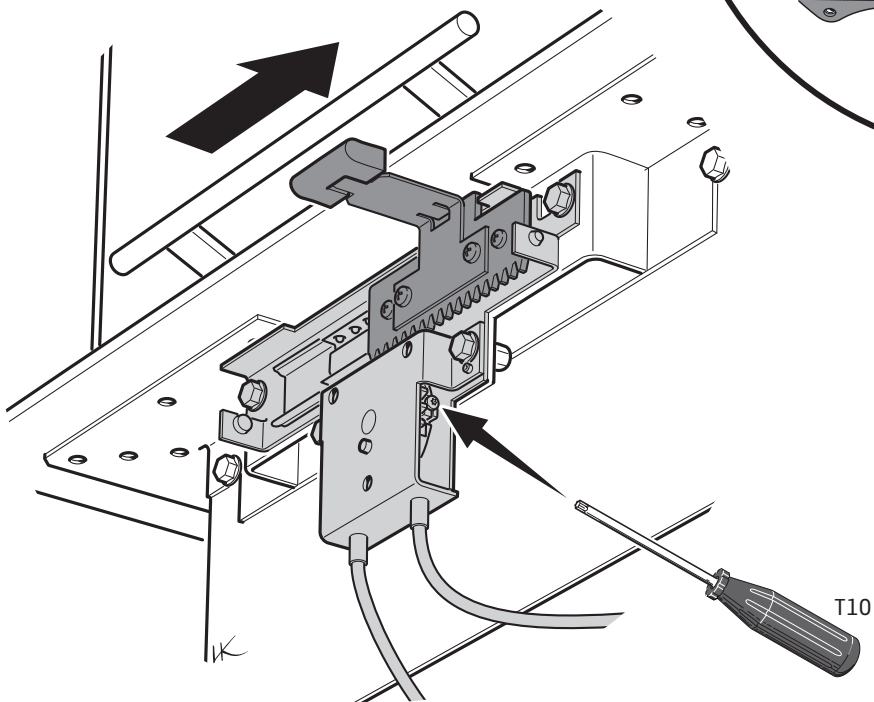
2



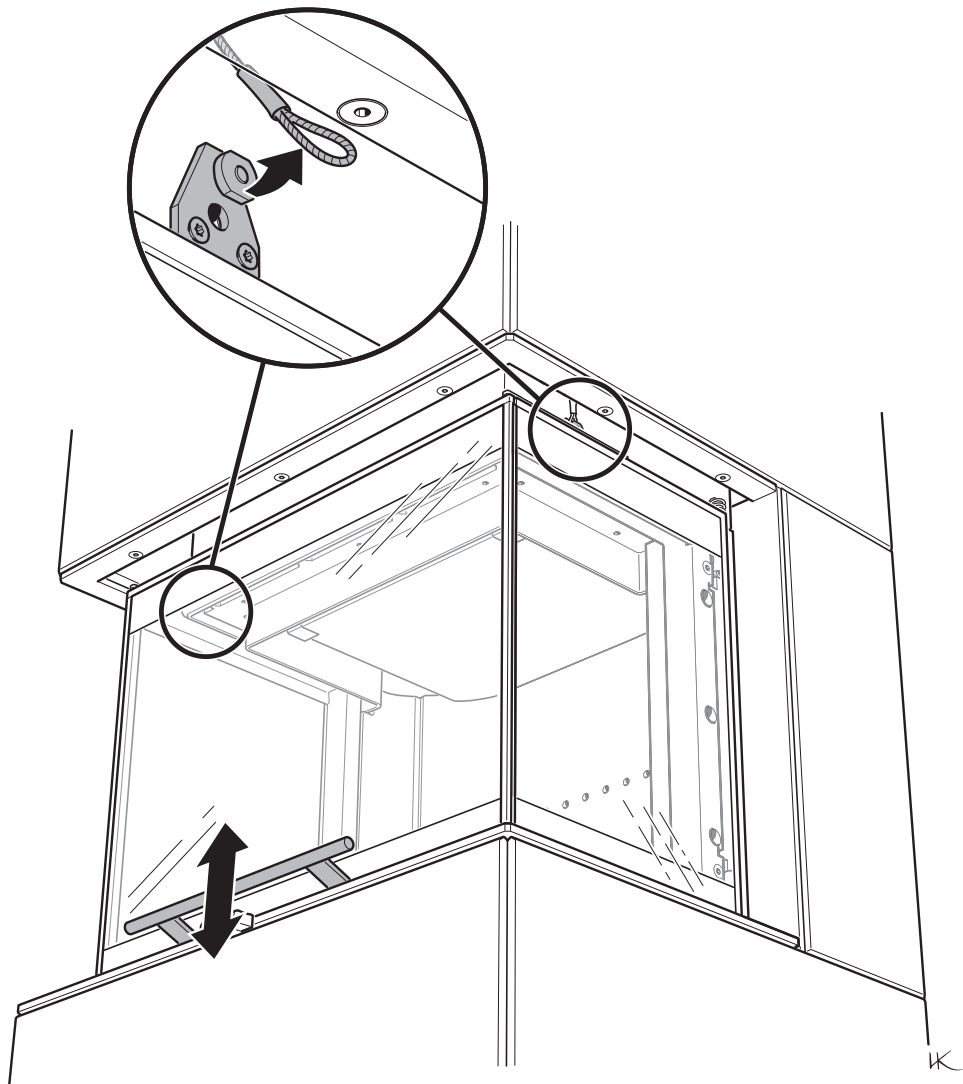
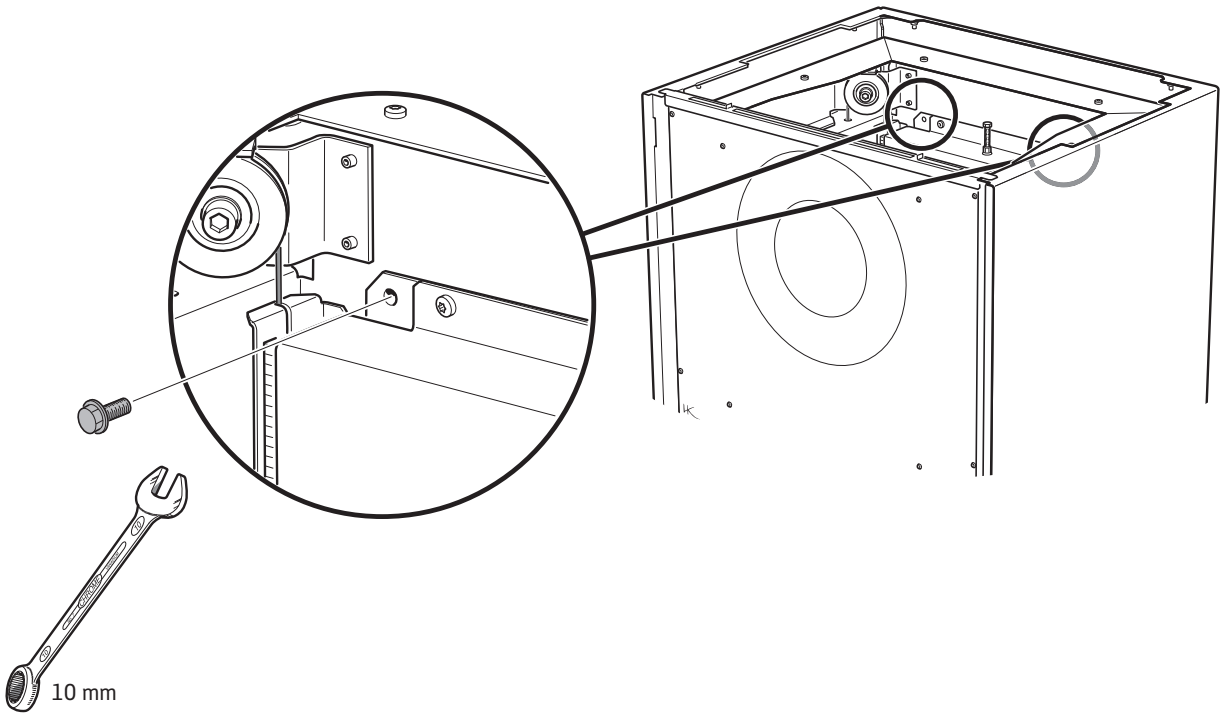
3

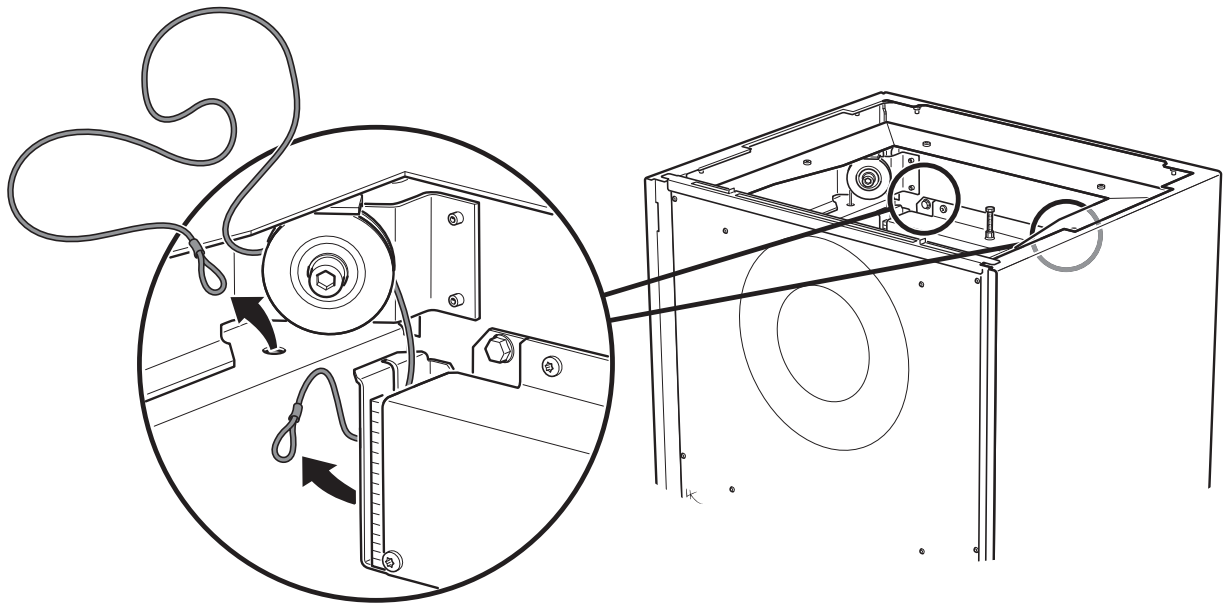


4



IK

7 Replace wire



Contura

NIBE AB · Box 134 · SE-285 23 Markaryd · Sweden
contura.eu

Contura reserves the right to change dimensions and procedures described in these instructions at any time without special notice. The current edition can be downloaded from www.contura.eu