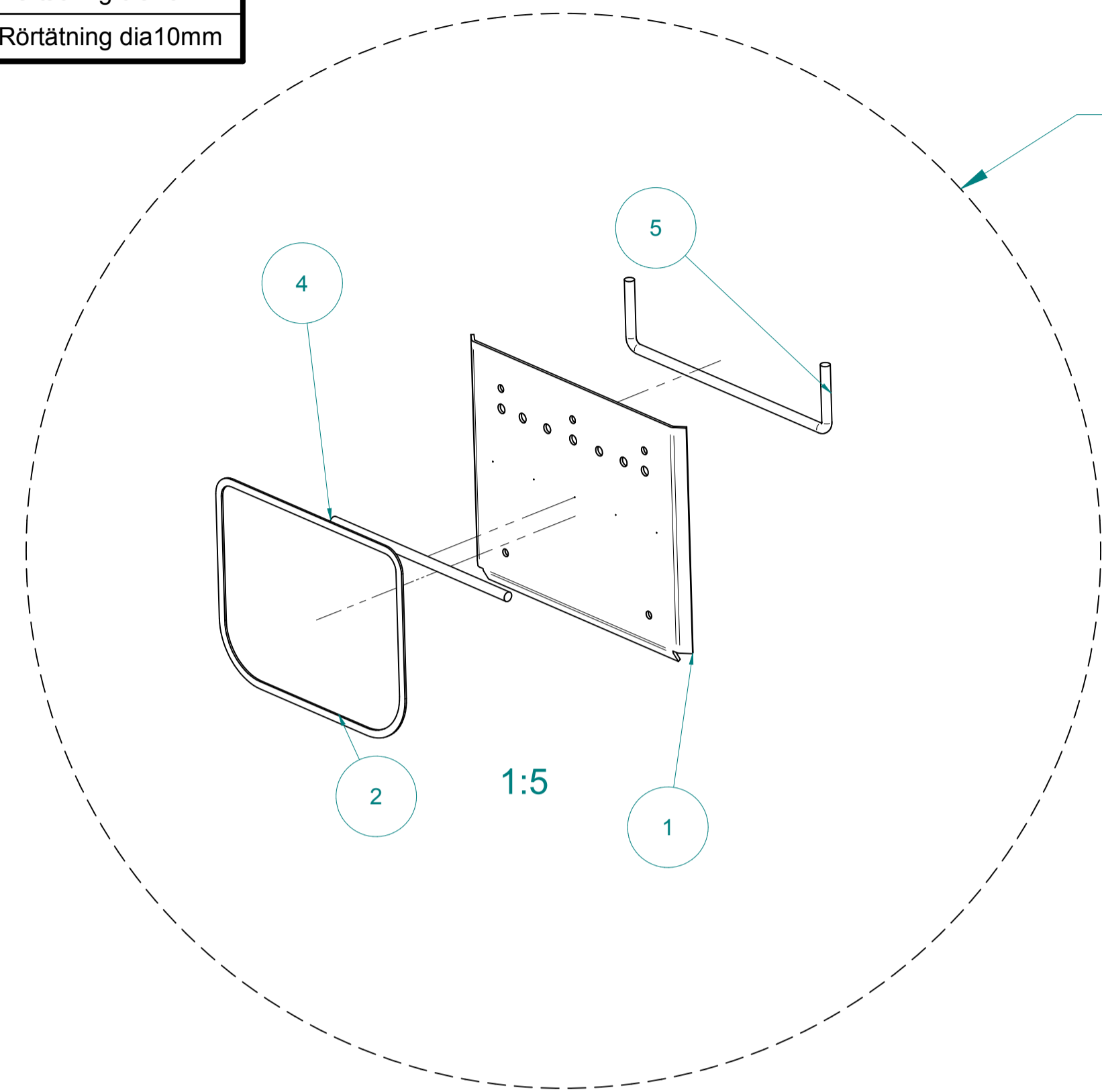
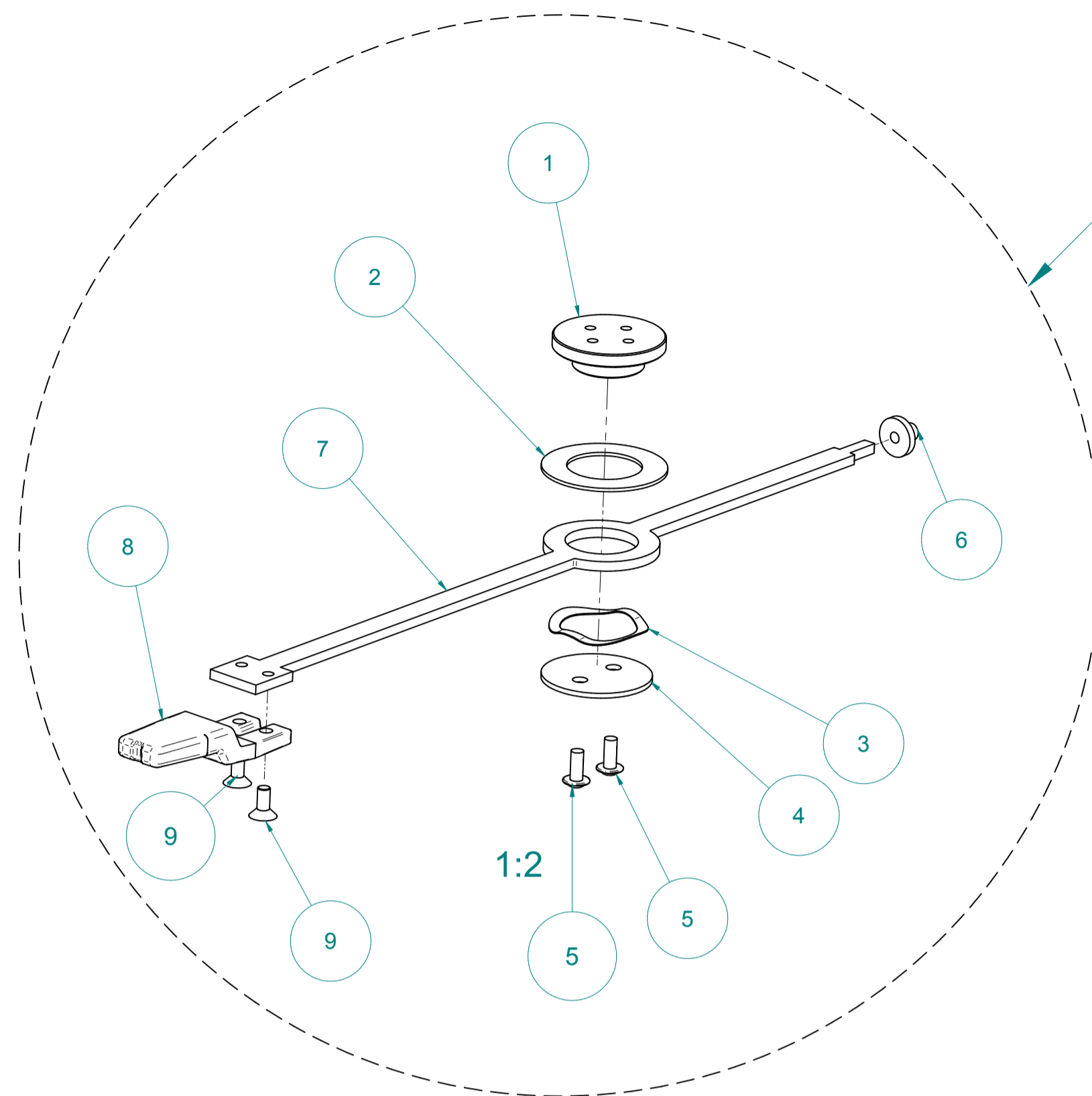


Item Number	Document Number	Title
1	598712	Täcklock Målad Ci5 Ci6
2	603117	Glasfiberband Ci5 Ci6
3	003486	Rörtätning dia10mm
4	003486	Rörtätning dia10mm

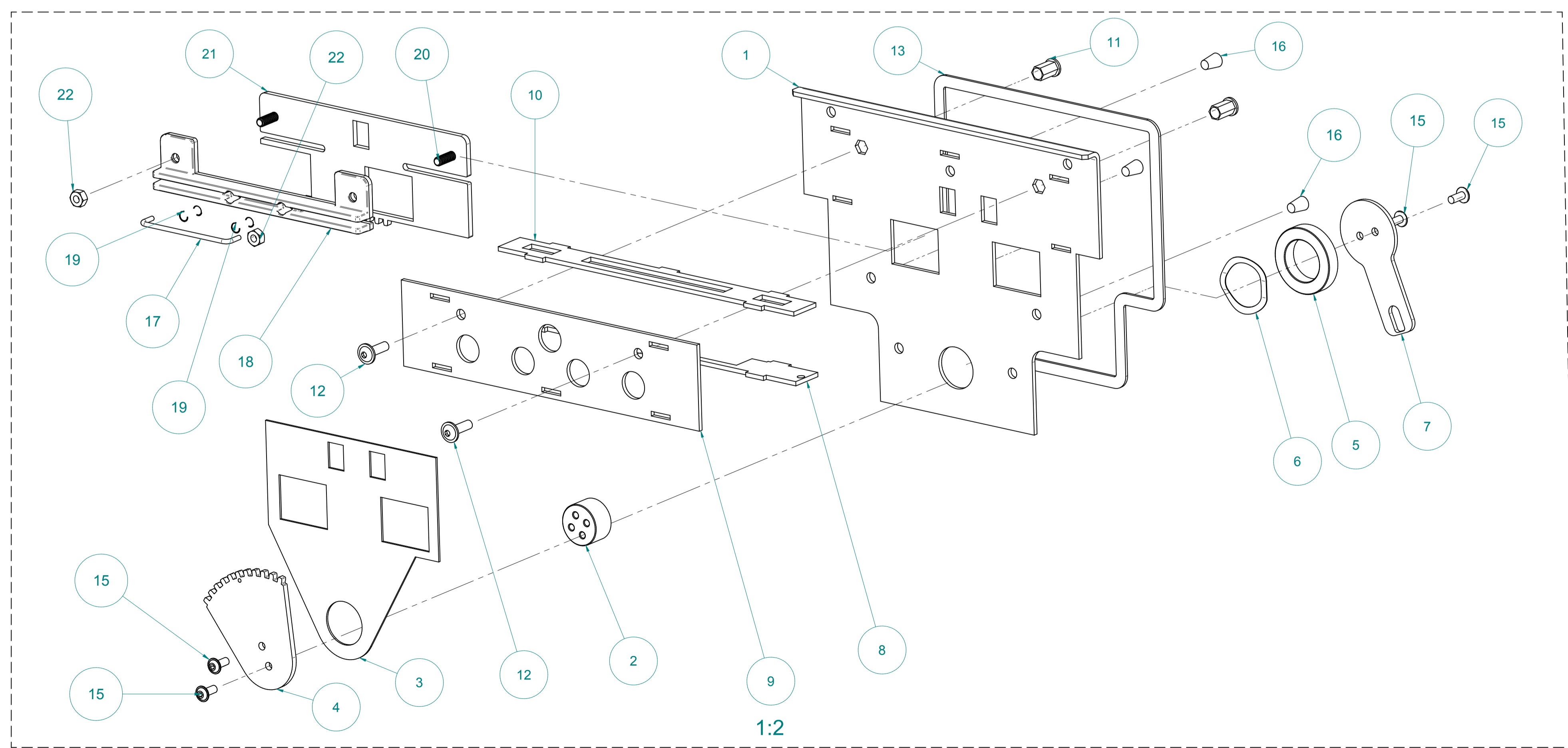


598709



598929

Item Number	Document Number	Title	Grey	Black
1	603869	Distans Spjällreglage Ci5	-	-
2	603917	Glidpackning Grafit Ci5	-	-
3	603916	Vågbricka VB 7453	-	-
4	598915	Bricka Spjällarm	-	-
5	016001	Skruv Insex K6S M Fläns m5x12	-	-
6	016859	konisk flänsplugg	-	-
7	598713	Spjällarm Ci5	198184	198185
8	603196	Spjällknopp Classic	198186	198187
9	416067	Skruv försänkt MFT	-	-

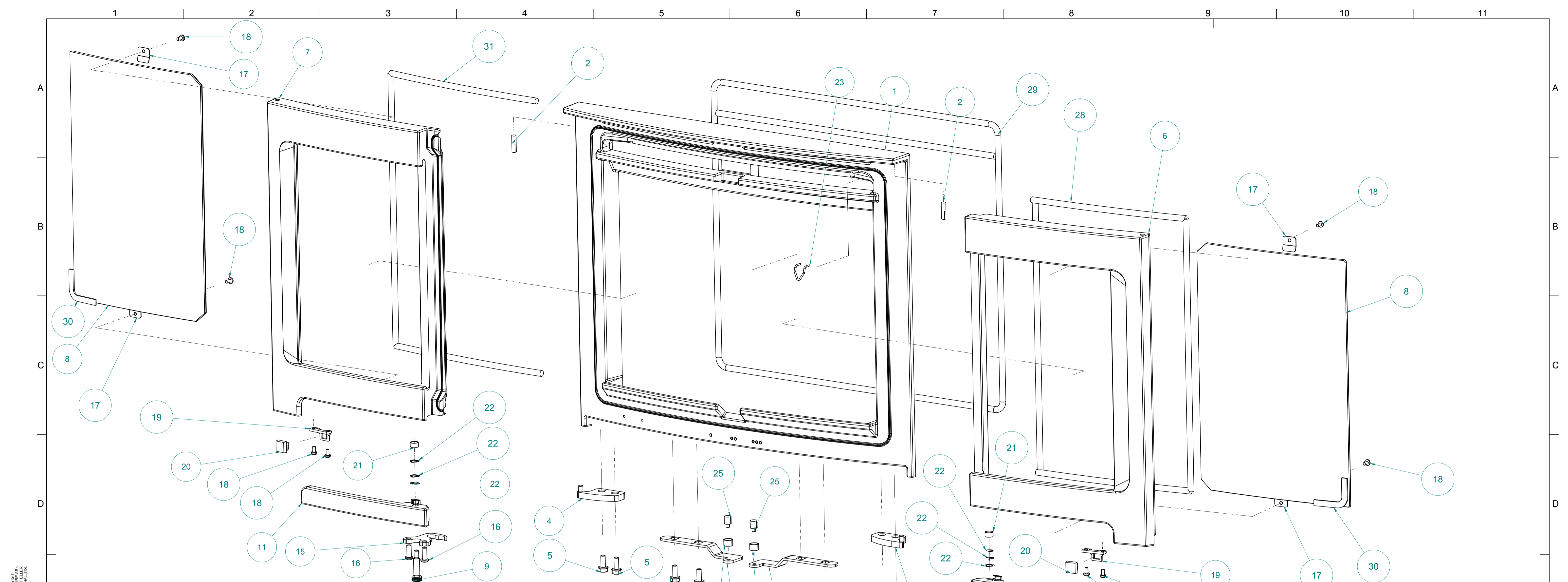


598913

Item Number	Document Number	Title	Grey	Black
1	598914	Botten Plåt Ci5	598933	598933
2	603870	Nav Ci5	-	-
3	603918	603918 Glid Packning Grafit Ci5-2.psm	-	-
4	598916	Spjällreglage	598932	598932
5	603868	Distans	-	-
6	603916	Vågbricka VB 7453	-	-
7	598717	Spjällarm bakre Ci5	598770	598770
8	598919	Styr Plåt Ci5	598934	598934
9	598920	Plåt Ci5	598935	598935
10	598918	Distans Plåt Ci5	598936	598936
11	016158	Blindnit	-	-
12	016619	skruv m6x20 mk6s med fläns	-	-
13	603117	Glasfiberband Ci5 Ci6	-	-
15	016001	Skruv Insex K6S M Fläns m5x12	-	-
16	603981	Konisk silicon plugg	-	-
17	198200	Stöd spjällarm Ci5	-	-
18	603828	Spjällskiva	-	-
19	416103	SF TFR 2353 SS2331 06	-	-
20	416109	Pressskruv CH M6x20	-	-
21	598748	Spjällskiveplåt	598957	598957
22	016340	M6M Låsmutter Triloc M6	-	-

Material Quality/Specification	Dimension (mm)	Mass (kg)
		87,0 kg
Revision note Gångjärn V Panorama 803184.	Rev by ACL	Rev checked by ANC
Production eng ACN	Status ANC	Rev date 2013-02-20
Checked by ANN	Designer ANC	Date (yyyy-mm-dd) 2012-07-31
NIBE NIBE AB Sweden	Ci5 Explod-0 Contura Ci5	Scale Replaces
	Format A1	Drawing no Ci5 explod - 1

THIS DOCUMENT IS THE PROPERTY OF NIBE AB. IT SHALL NOT BE REPRODUCED, COPIED, OR TRANSMITTED IN ANY FORM OR BY ANY MEANS, ELECTRONIC OR MECHANICAL, INCLUDING PHOTOCOPYING, RECORDING, OR BY ANY INFORMATION STORAGE AND RETRIEVAL SYSTEM, WITHOUT THE WRITTEN PERMISSION OF NIBE AB. NIBE AB SHALL NOT BE RESPONSIBLE FOR ANY DAMAGE TO PERSONS OR PROPERTY CAUSED BY THE USE OF THIS DOCUMENT OR THE PRODUCTS DESCRIBED HEREIN. NIBE AB SHALL NOT BE RESPONSIBLE FOR ANY DAMAGE TO PERSONS OR PROPERTY CAUSED BY THE USE OF THIS DOCUMENT OR THE PRODUCTS DESCRIBED HEREIN.



Item Number	Document Number	Title	Black	Grey	Spare part Black	Spare part Gray
1	603760	Front Dubbel	598687	598686	391444	391445
2	416098	Räffelpinne 6x26 RPE	-	-	-	-
3	603813	Gångjärn Höger Kasset	-	-	-	-
4	603814	Gångjärn Vänster Kasset	-	-	-	-
5	416099	Skruv M6SF M6x16	-	-	-	-
6	603766	Lucka Dubbel Höger	598681	598680	391439	391438
7	603768	Lucka Dubbel Vänster	598683	598682	391437	391436
8	603787	Glas Dubbel	-	-	391424	391424
9	016860	Ansattsskruv M6x8x20 ISO 7379	-	-	-	-
10	603774	Handtag Dubbel Höger	598691	598690	391432	391433
11	603776	Handtag Dubbel Vänster	598693	598692	391430	391431
14	003597	Låsrulle	-	-	-	-
15	603821	Låskrok	-	-	-	-
16	416101	M6x25 K6S-H med fläns	-	-	-	-
17	598764	Glashållare ferritisk	-	-	-	-
18	016678	Skruv MRT TT m4x8	-	-	-	-
19	598924	Hållare handtagsstopp	598926	598926	-	-
20	603158	silikonbuffert i10 i20	-	-	-	-
21	603935	Distanshylsa	-	-	-	-
22	016946	Vågad fjäderbricka VB 8,89x12,5x0,18	-	-	-	-
23	403839	Upptändningsfjäder H50	-	-	-	-
25	403056	Axel	-	-	-	-
26	603817	Låsplåt Vänster Dubbel	603820	603820	-	-
27	603816	Låsplåt Höger Dubbel	603819	603819	-	-
28	003033	Tätning rep	-	-	-	-
29	003033	Tätning rep	-	-	-	-
30	003506	Textilglastätning	-	-	-	-
31	003033	Tätning rep	-	-	-	-

Material Quality/Specification		Dimension (mm)		Mass (kg)
				87,0 kg
Revision note Gångjärn V Panorama 803184.		Rev by ACL	Rev checked by ANC	Rev date 2013-02-20
Production eng ACN		Status	Designer ANC	Date (yyyy-mm-dd) 2012-07-31
Checked by ANN				
Format A1		Scale	Replaces	Rev
NIBE AB Sweden		Ci5 Explod-0 Contura Ci5		Ci5 explod - 1

THIS DOCUMENT IS THE PROPERTY OF NIBE AB. IT SHALL NOT BE REPRODUCED, COPIED, OR TRANSMITTED IN ANY FORM OR BY ANY MEANS, ELECTRONIC OR MECHANICAL, INCLUDING PHOTOCOPYING, RECORDING, OR BY ANY INFORMATION STORAGE AND RETRIEVAL SYSTEM, WITHOUT THE WRITTEN PERMISSION OF NIBE AB. ANY INFRINGEMENT OF THESE CONDITIONS WILL BE SUBJECT TO LEGAL ACTION.

