

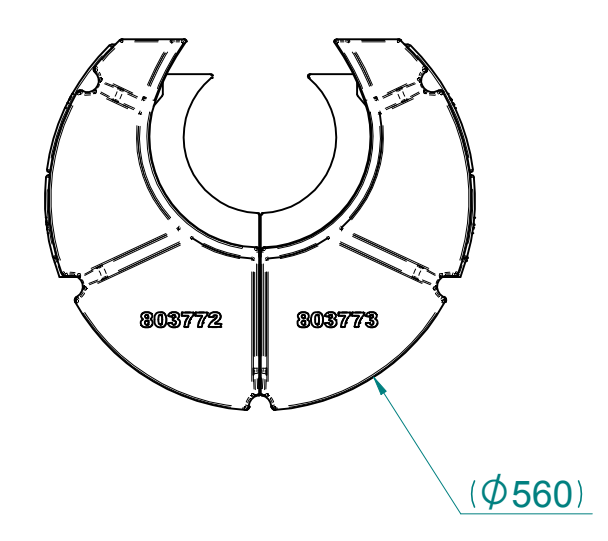
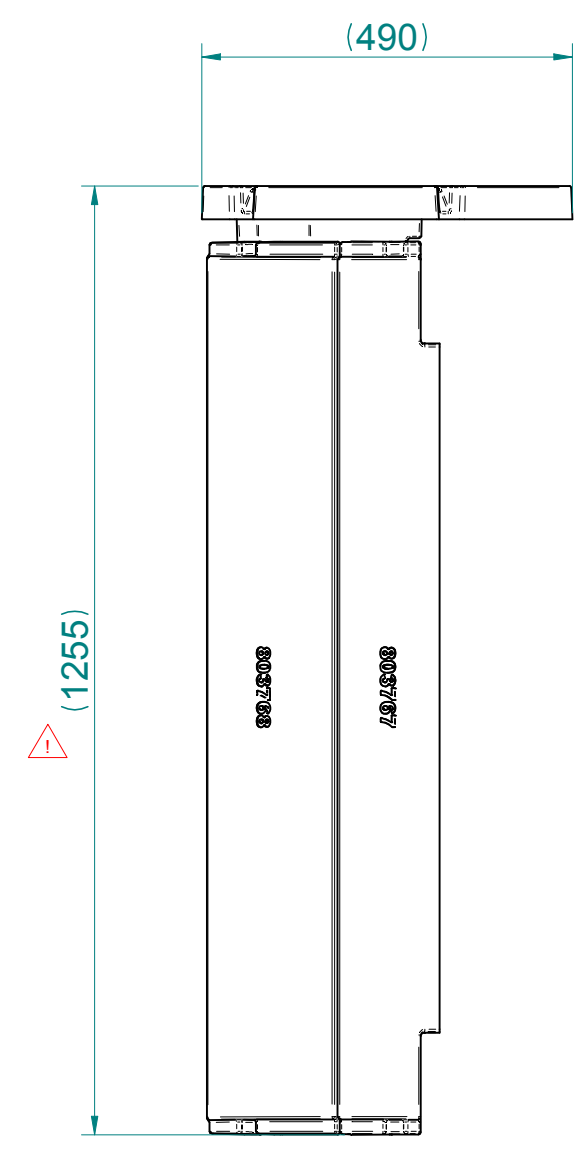
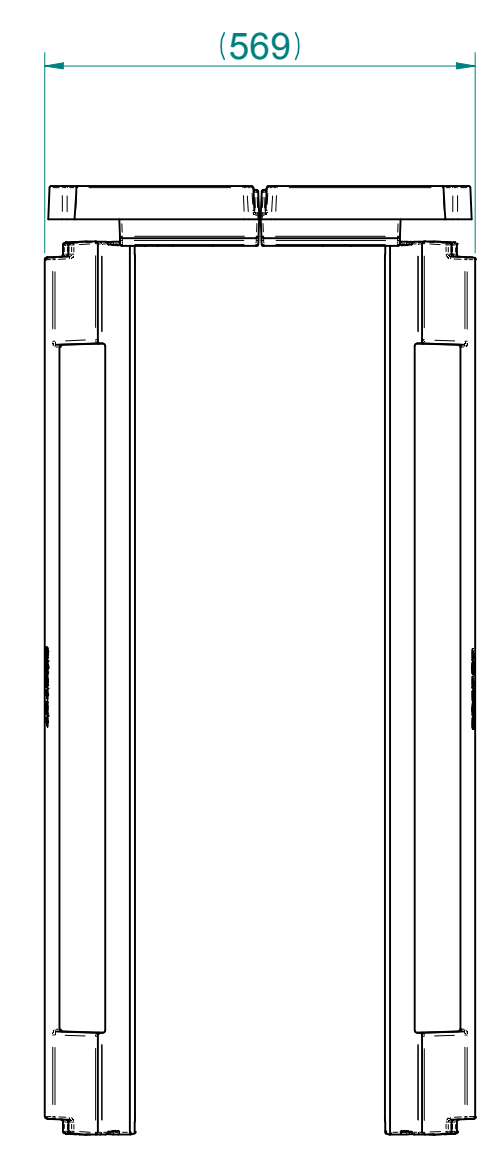
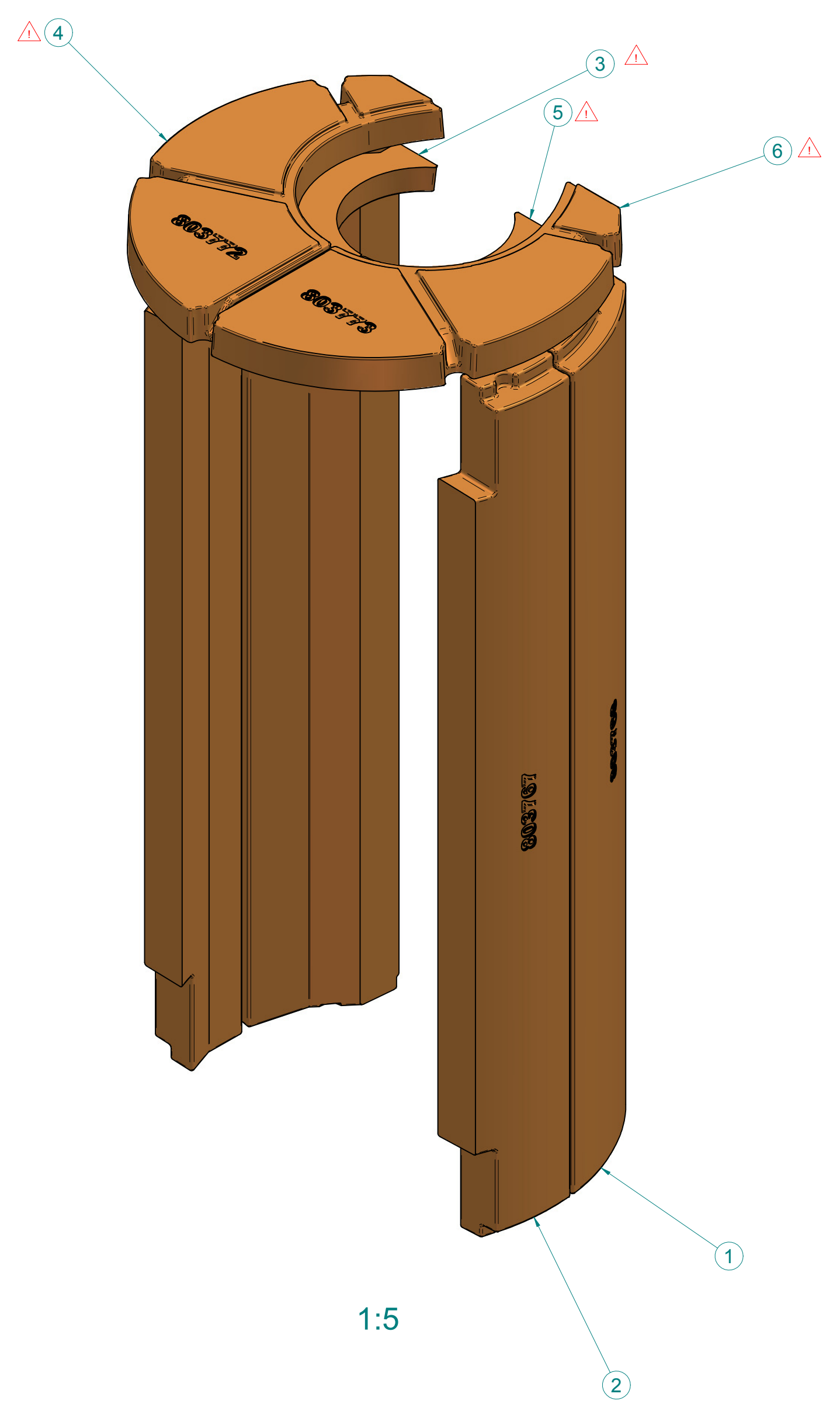
POWERSTONE SET C620 STYLE

Attribute Name	Attribute Value
XA Id	803766
Revision	3
Name	POWERSTONE SET C620 STYLE
Name SE	POWERSTONE SET C620 STYLE
Dimension	
Material	OLIVINE CONCRETE
Net Weight	109.000
Release Status	Production
ID	PRT9803766
Safety Class	0
Manufacturer	
Manufacturer Type No.	
Version	
English Revision Comment	Weight and volume added on product and packaging
Swedish Revision Comment	Vikt och volym inlagt på produkt och emballage
Owner	hanilsd
Initially Checked By	MET
Initial Approval Date	2016-10-07 15:38
Revision Checked By	MET
Revision Approval Date	2017-05-03 07:49

References

Item ID	Name	Type	Relation
PRT9803766-3;POWERSTONE SET C620 STYLE	PRT9803766-3;POWERSTONE SET C620 STYLE	PDF	Rendering
DSN9803766-2	Powerstone Set C620	SE Design Revision	Primary Design Representation

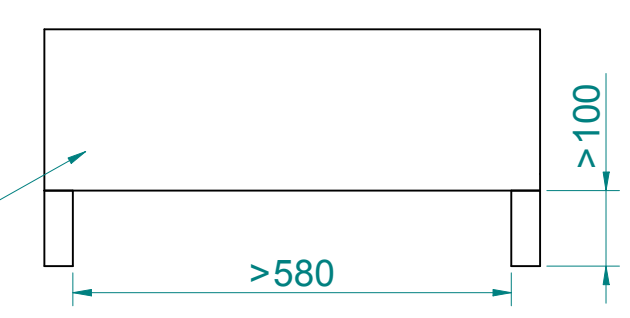
Part Specification Sheet 803766-3
 Page 2/3 Created 2017-05-03 10:49
 THIS DOCUMENT IS THE PROPERTY OF NIBE AB. IT SHALL NOT BE REPRODUCED, DISCLOSED TO A THIRD PARTY, OR USED FOR ANY PURPOSE OTHER THAN THAT FOR WHICH IT IS SUPPLIED, WITHOUT THE WRITTEN CONSENT OF NIBE AB. ANY INFRINGEMENT OF THESE CONDITIONS WILL BE LIABLE TO LEGAL ACTION.
 URSprunglig eller ändrad form helt eller delvis: Utan Nibe AB's skriftliga medgivande reproduceras, delges tredje part eller användas för annat ändamål än för vilket det tillhandahållits, obehörigt. Förbehåll för Nibe AB's rätt till ändring av utgåvan.



One set delivered in woden box contains :
 2 pcs 803767
 2 pcs 803768
 1 pcs 803769
 1 pcs 803770
 1 pcs 803772
 1 pcs 803773

Quality standard KS 0102

Each box marked with:
 Article number
 Bar code label
 P.O. number



Each set packed in wooden box treated according to ISPM15, adapted for pallet truck and possible to stack.

THIS DOCUMENT IS THE PROPERTY OF NIBE AB. IT SHALL NOT BE REPRODUCED, DISCLOSED TO A THIRD PARTY, OR USED FOR ANY PURPOSE OTHER THAN THAT FOR WHICH IT IS SUPPLIED, WITHOUT THE WRITTEN CONSENT OF NIBE AB. ANY INFRINGEMENT OF THESE CONDITIONS WILL BE LIABLE TO LEGAL ACTION.

PARTLIST - 803766-3

Pos.Nr.	XA Id	Quantity	Name	Dimension	Material	Manufacturer	Manufacturer Type No.
1	803768	2	POWERSTONE SIDE BACK C620	1181,5X175,8X116,6	OLIVINE CONCRETE		
2	803767	2	POWERSTONE SIDE FRONT C620	1181,7X134,8X79,8	OLIVINE CONCRETE		
3	803769	1	POWERSTONE TOP UNDER L C600	245X185X35	OLIVINE CONCRETE		
4	803772	1	POWERSTONE TOP LEFT C620	490,3X279X44	OLIVINE CONCRETE		
5	803770	1	POWERSTONE TOP UNDER R C600	245X185X35	OLIVINE CONCRETE		
6	803773	1	POWERSTONE TOP RIGHT C620	490,3X279X44	OLIVINE CONCRETE		