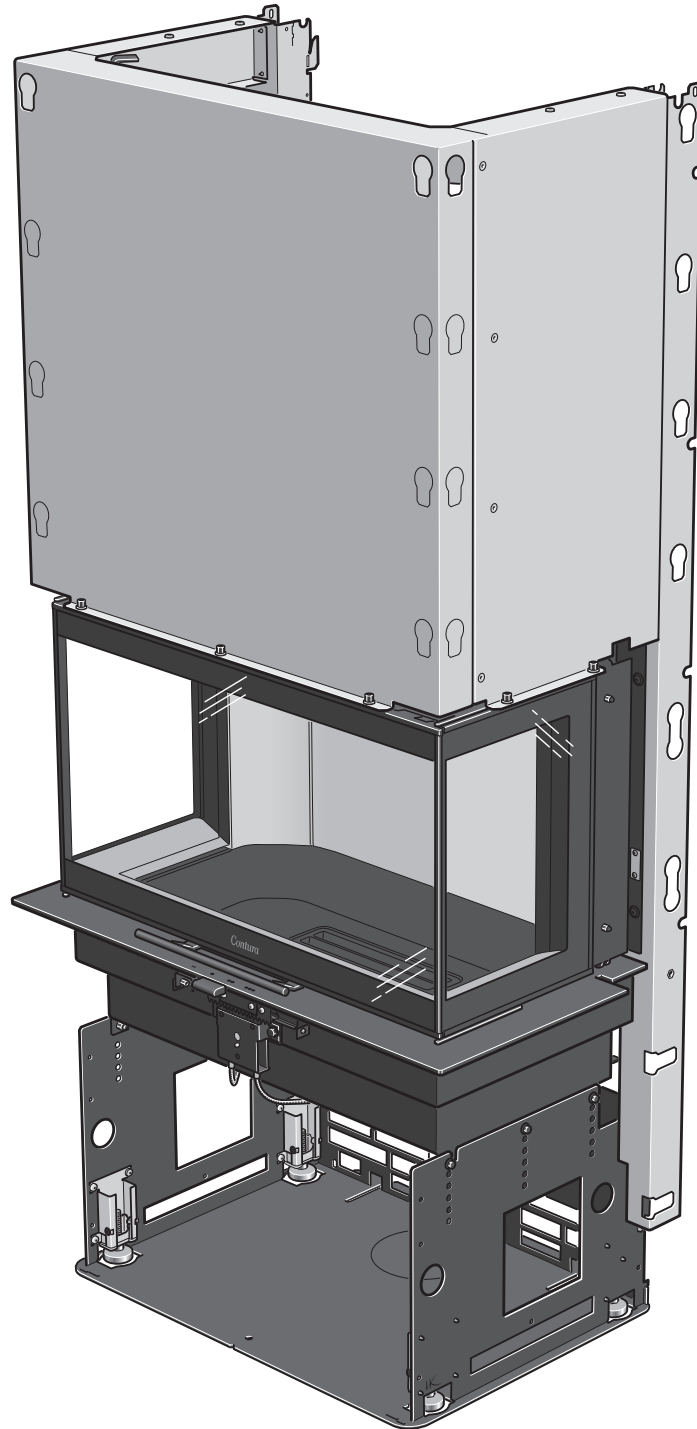


# Installation instructions



Ci50

# *Contura*

## Declaration of performance according to Regulation (EU) 305/2011

No. Ci50-CPR-191219

# Contura

### PRODUCT

Type Wood burning insert  
Trade name Contura i50  
Intended area of use Heating of rooms in residential buildings  
Fuel Wood

### MANUFACTURER

Name NIBE AB / Contura  
Address Box 134, Skulptörvägen 10  
SE-285 23 Markaryd, Sweden

### VERIFICATION

According to AVCP System 3  
European standard EN 13229:2001/A2:2004/AC:2007  
Test institute Rein-Ruhr Feuerstätten Prüfstelle, NB 1625.

### DECLARED PERFORMANCE

ESSENTIAL CHARACTERISTICS	PERFORMANCE	HARMONISED TECHNICAL SPECIFICATION
Fire safety	Pass	EN 13229:2001/A2:2004/AC:2007
Fire classification	A1	
Minimum distance to flammable materials	Rear: 150 mm (With heat shield) Side: 700 mm Ceiling: 550 mm (Front grate) Ceiling: 750 mm (Top grate) Front: 1500 mm Floor: 0 mm Corner: NPD	
Fire hazard due to burning fuel falling out	Pass	
Cleanability	Pass	
Emissions from combustion	CO: 0,08%	
Surface temperatures	Pass	
Temperature on the handle	NPD	
Mechanical resistance	Pass	
Temperature in the space for wood storage	NPD	
Nominal output	8,0 kW	
Efficiency	80,0%	
Flue gas temperature at nominal output	278°C	
Flue gas temperature in flue spigot	334°C	

The undersigned is responsible for the manufacture and conformity with the declared performance.



**Niklas Gunnarsson**, Business area manager NIBE STOVES  
Markaryd, December 19, 2019



A warm welcome to Contura.

Welcome to the Contura family. We hope you will get a great deal of pleasure from your new insert. Congratulations on your purchase of a Contura insert. You have acquired a reliable quality product with a timeless design and long service life. Contura produces environmentally-friendly wood burning stoves that create heat in the most efficient way possible.

Please read these instructions carefully and thoroughly before installation. The Lighting instructions explain how you can obtain optimal performance from your stove.

### Contents

Technical specifications	84
Important dimensions	85
Prior to installation	85
Installation	93
Chimney	94
Recessing the insert	95
Recess example	96

#### **NB!**

You are required to apply to your local authority for permission to install a fireplace/stove.

The owner of the house is personally responsible for ensuring compliance with the mandatory safety requirements and must have the installation approved by a qualified inspector. Your local chimney sweep must also be informed of the installation, as this will affect the routines for regular chimney-sweeping services.

#### **WARNING!**

The insert becomes very hot

Parts of the insert become very hot when it is in use and can cause burns if touched. You should also be careful of the heat that transfers through the door glass. Combustible materials must be kept at the stated safe distance to prevent the risk of fire. A smouldering fire emits gases that can suddenly ignite and cause material damage and personal injury.

## Technical specifications

<b>Model</b>	<b>i50</b>
Output	6-11 kW
Nominal output	8,0 kW
Efficiency	80%
Weight (kg)	155
Width (mm)	765
Depth (mm)	500
Height (mm)	1600

Connection sleeve diameter  $\varnothing$ 150 mm ext.

## General information

This manual contains instructions on how to install the Contura i50. We recommend the insert be installed by a qualified tradesperson to ensure it functions safely and properly. Our Contura dealers can recommend suitable installers. Dealer information is available at [www.contura.eu](http://www.contura.eu). An instruction manual on how to obtain optimal performance from your insert is also provided. Please read this carefully and keep for future reference.

## Structural support

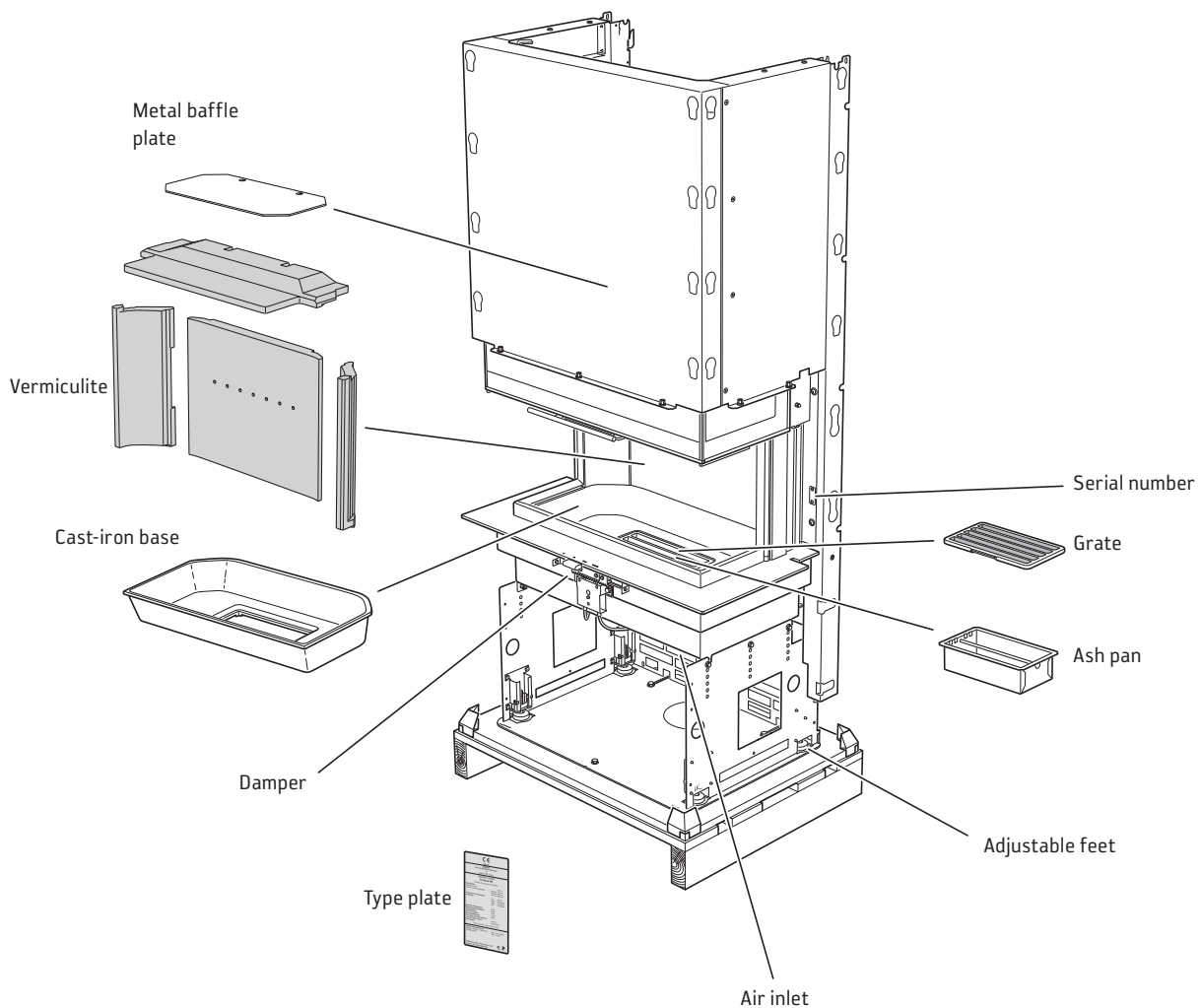
Check that the floor joists are strong enough to bear the weight of the insert, chimney and construction parts.

## Hearth plate

To protect the floor in front of the hearth from falling embers, a non-combustible floor covering must be placed at least 300 mm all around. A toughened glass hearth plate is available as an accessory.

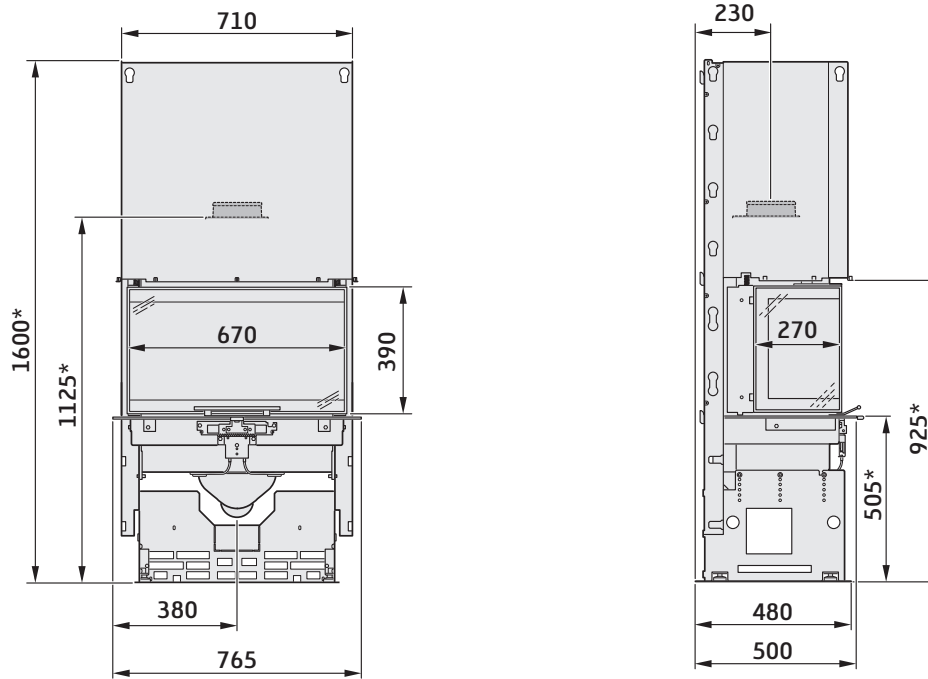
## Application to local authority

You must apply for permission from your local authority before installing a stove or erecting a chimney. We recommend you contact your local authority for advice and information about obtaining permission.



# Important dimensions

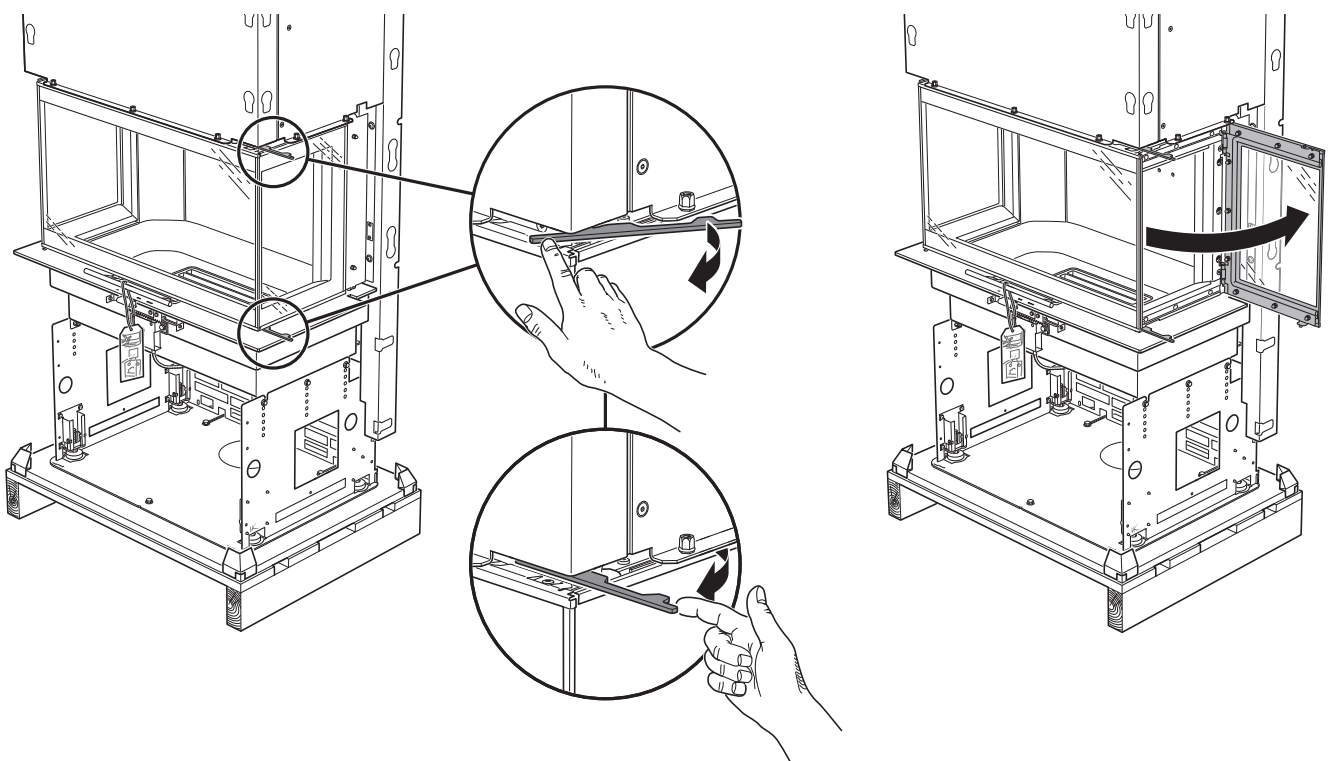
Ci50

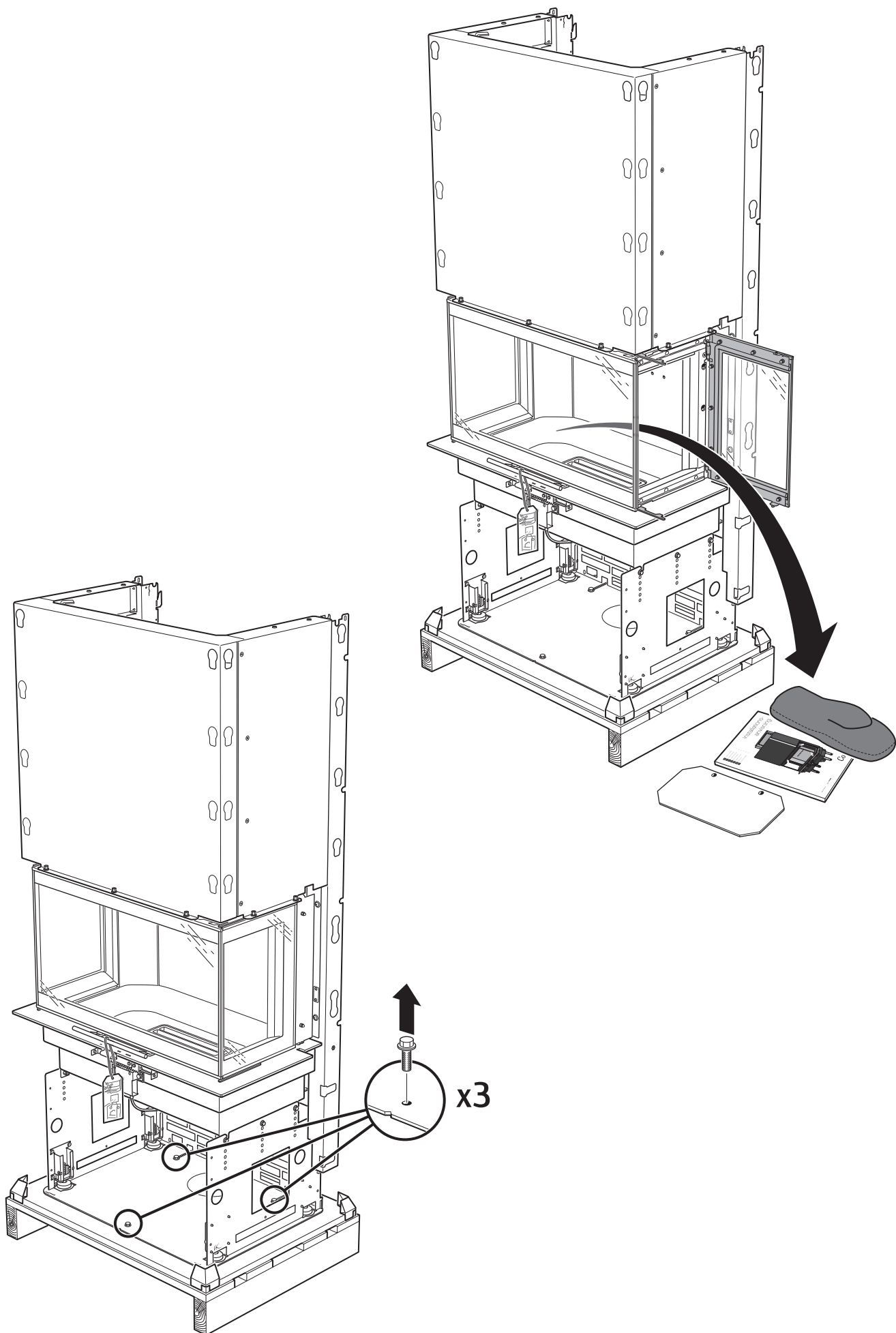


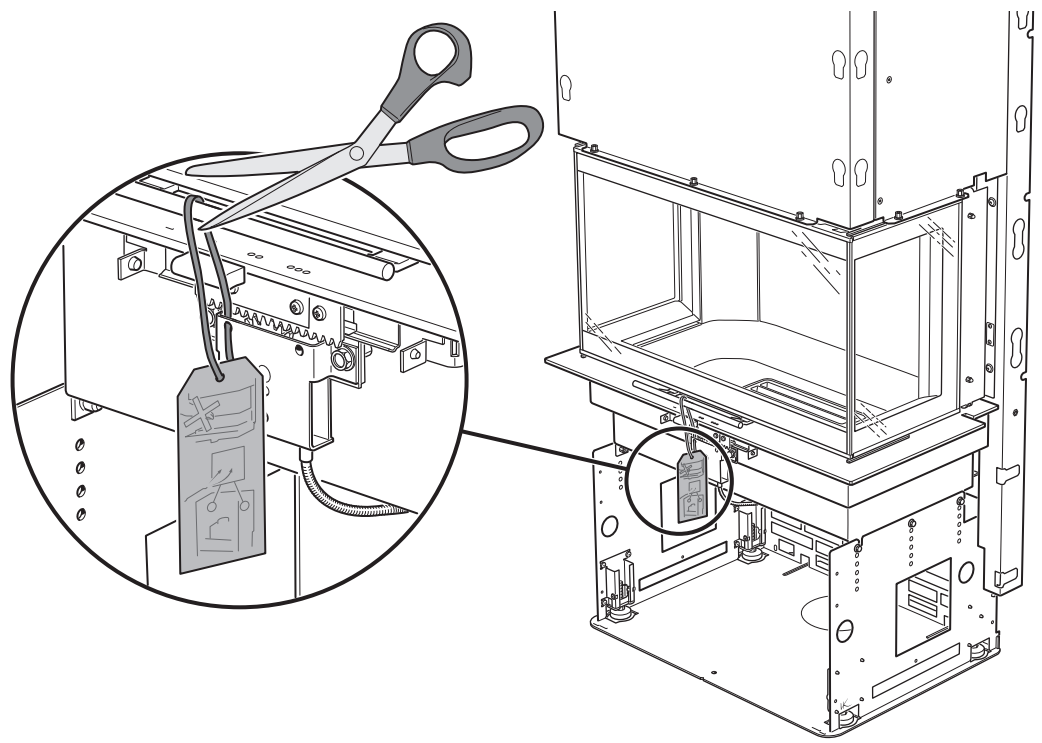
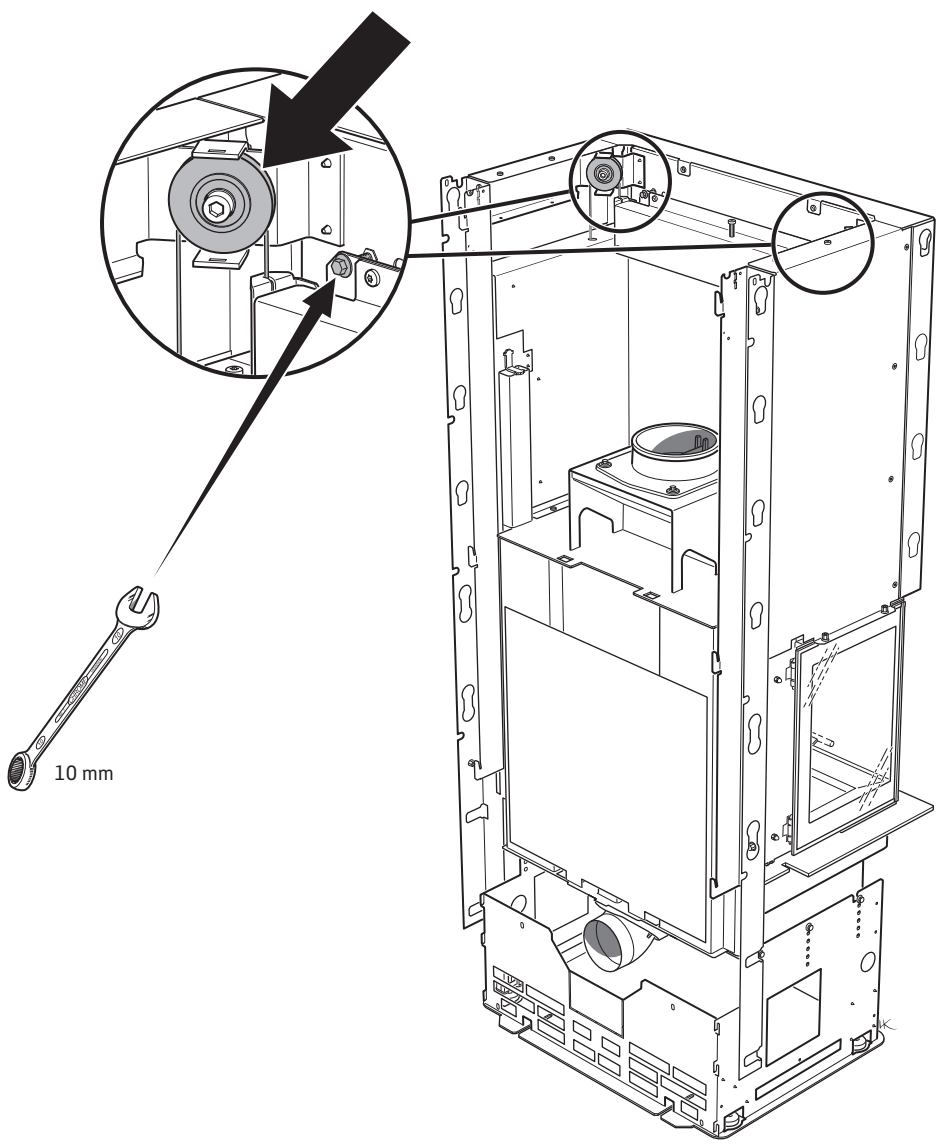
\* The insert can be lowered 80 mm (at 16 mm intervals).

## Prior to installation

Opening a side glass panel





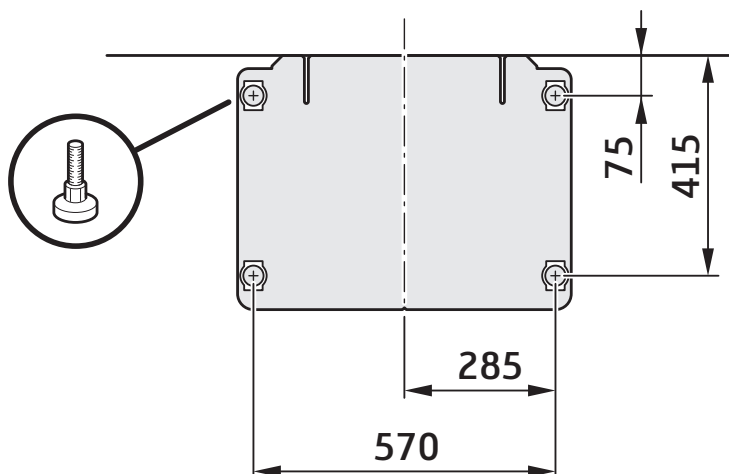
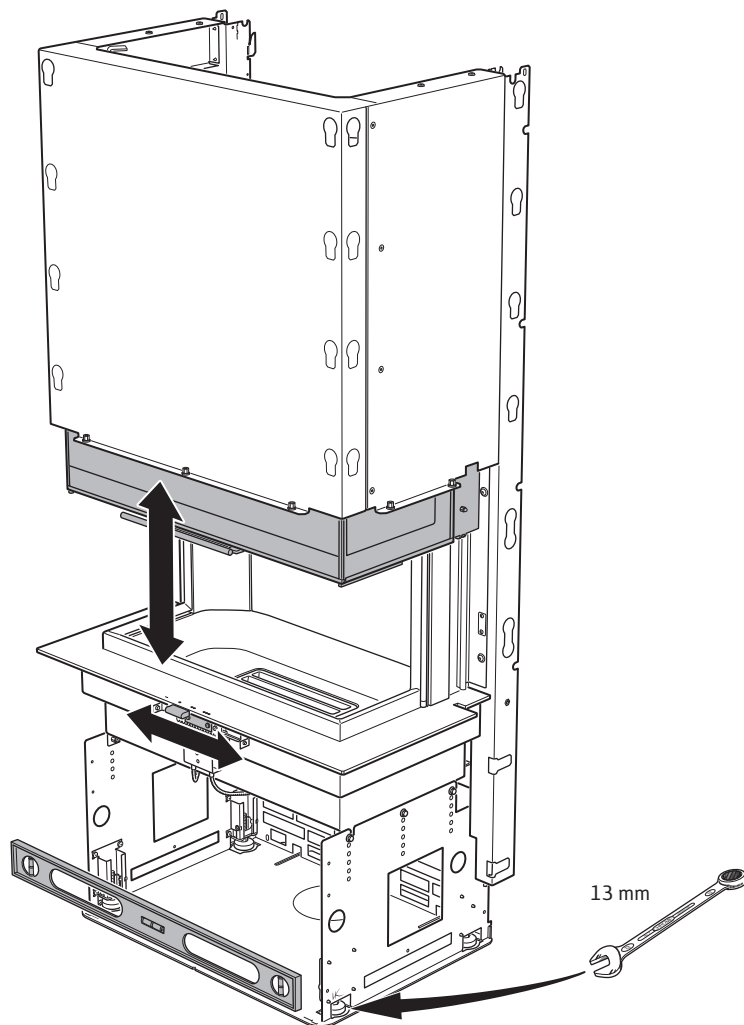


## Performance check

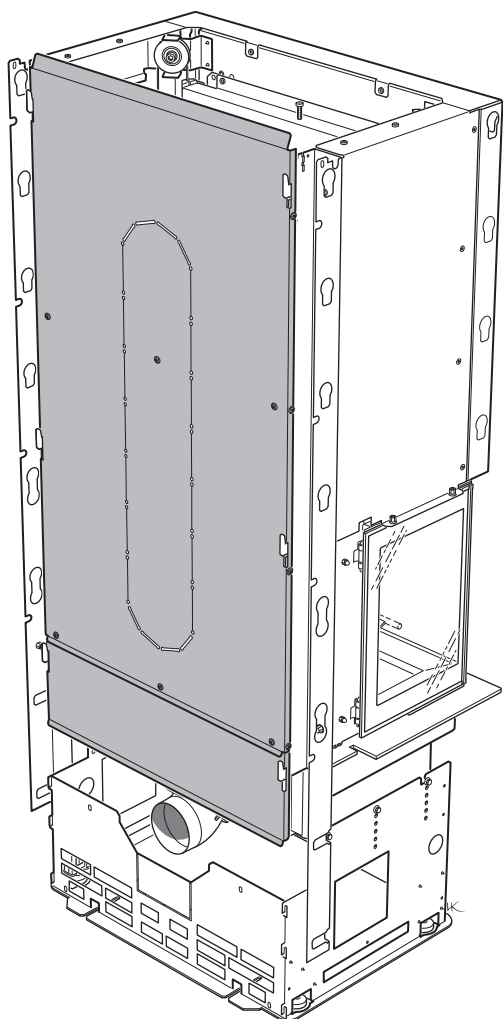
**Check the performance of the insert as follows:**

Use the adjustable feet to level the insert. Check that the door can be opened and closed.

Check that the damper knob can be moved back and forth to the max. and min. marks.







### Heat deflector

Install the heat deflector according to separate instructions.

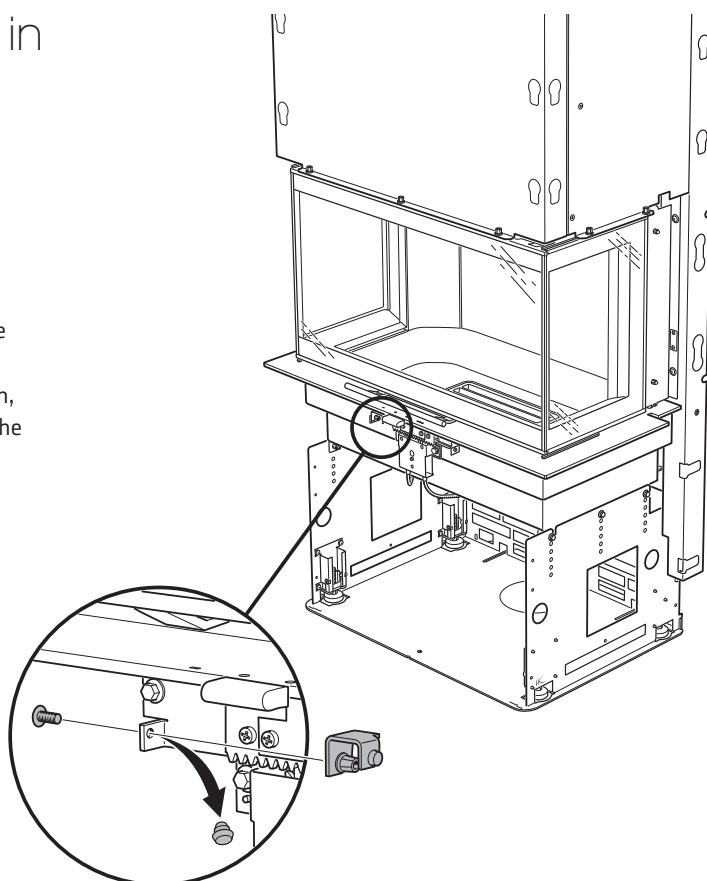
Note that Contura's protective screen is used instead of the heat deflector for all Ci51 installations.

## For installation in the UK and in smoke control areas

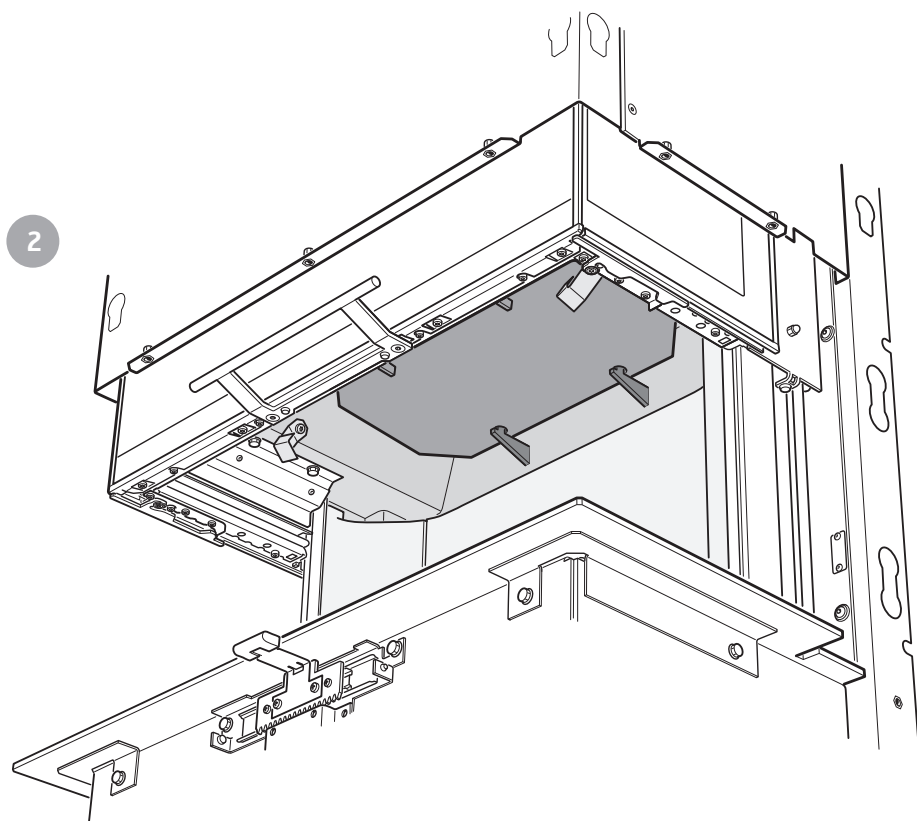
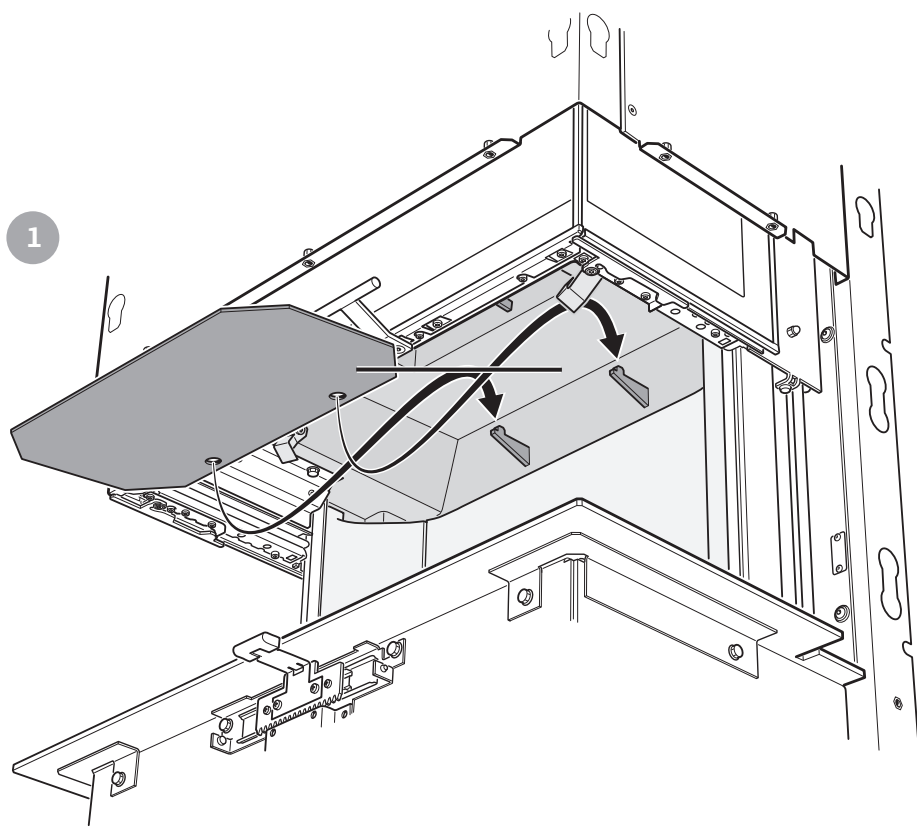
### Mandatory for smoke control areas

The Contura i50 and i51, 8 kW woodburning stoves has been recommended as suitable for use in smoke control areas. This when burning wood logs and operated in accordance with these instructions and when fitted with a permanent stop to prevent closure of primary air control beyond the 52 mm<sup>2</sup> open position, secondary air control beyond the 500 mm<sup>2</sup> open position and the tertiary air control beyond the 215 mm<sup>2</sup> open position.

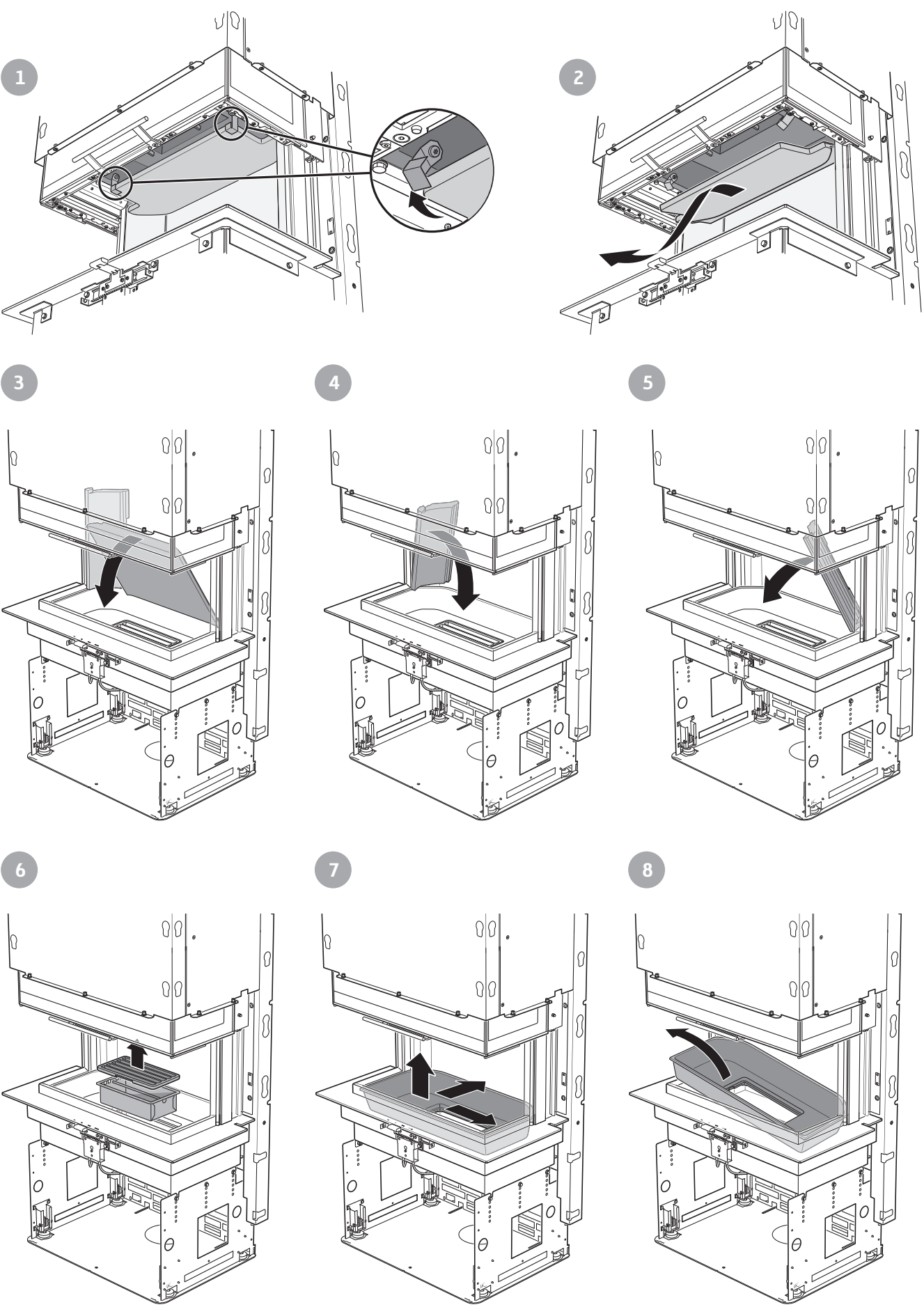
The permanent stop must be installed if the appliance is to be used in a smoke control area, this stop must not be removed in smoke control areas, otherwise an offence will be committed if the appliance is used without the permanent stop in place.



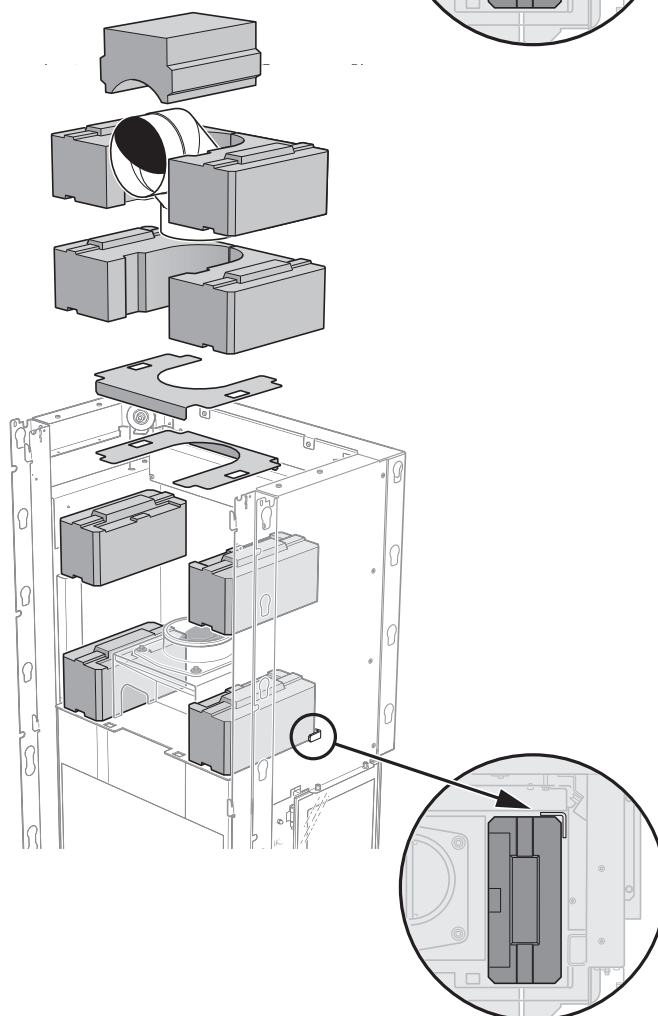
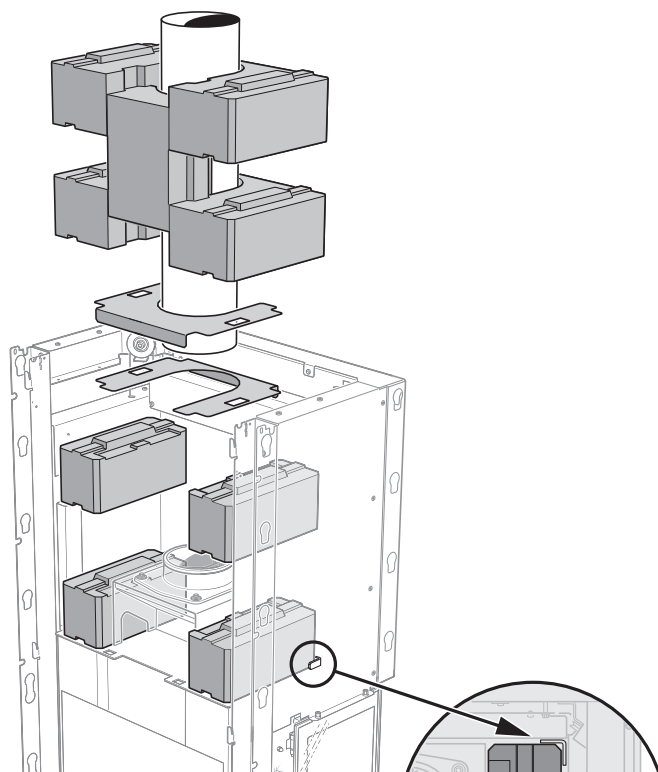
## Installation of metal baffle plate



Removing the hearth cladding



# Installing Powerstone Option



# Installation

Make sure that the installation complies with national and regional regulations. The installation must be approved by an authorised inspector.

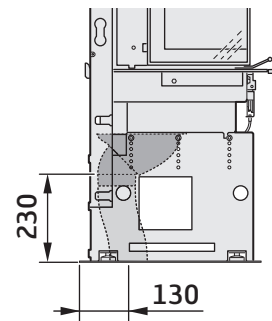
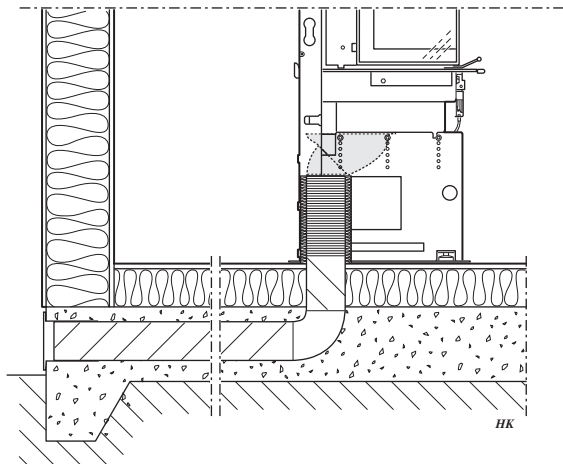
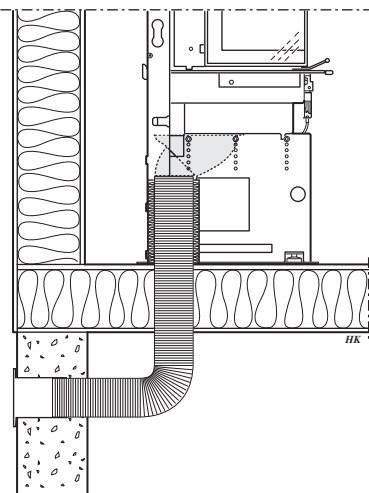
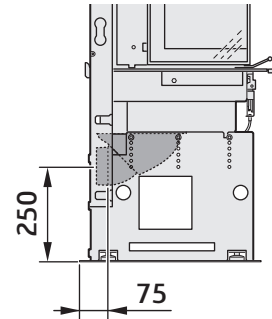
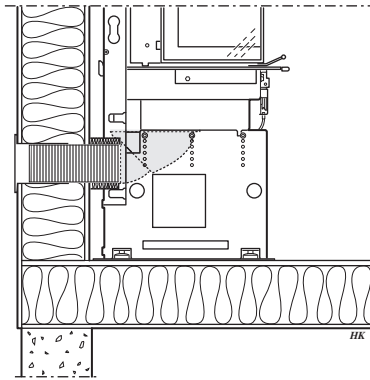
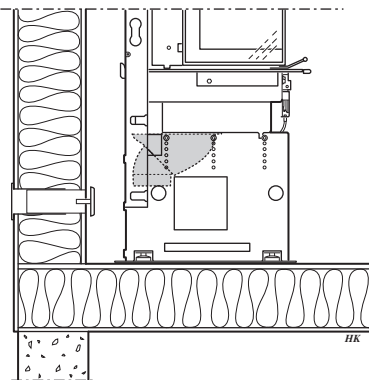
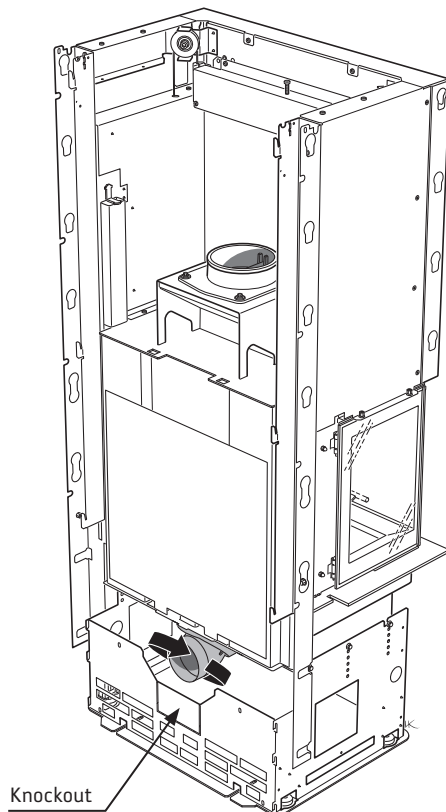
## Combustion air supply

Supply of combustion must be provided. Combustion air can be drawn directly via a duct from outside, or indirectly via a vent in the outer wall of the room where the stove is placed. The amount of combustion air that is used for combustion is approx. 25 m<sup>3</sup>/h.

Some installation alternatives are shown below. The connection sleeve on the stove has an external diameter of Ø100 mm.

In warm spaces, the duct should be insulated to prevent condensation using 30 mm mineral wool covered with a vapour barrier (aluminium tape). It is important that the lead-in, between the pipe and the wall (or floor), is sealed using jointing compound.

A 1-metre combustion-air tube insulated to prevent condensation is available as an optional extra.



## Chimney

The insert is approved for connection to a chimney designed to withstand flue gas temperatures of up to 350°C. The external diameter of the connection sleeve is  $\varnothing 150$  mm.

The insert requires a draft in the chimney of at least  $-12$  Pa. The draft is affected primarily by the length and area of the chimney and also by how well sealed it is. The minimum recommended chimney length is 3.5 m and a suitable cross-section area is 150-200 cm<sup>2</sup> ( $\varnothing 140$ -160 mm). Carefully check that the chimney is sealed and that there is no leakage of smoke from the soot doors or connections.

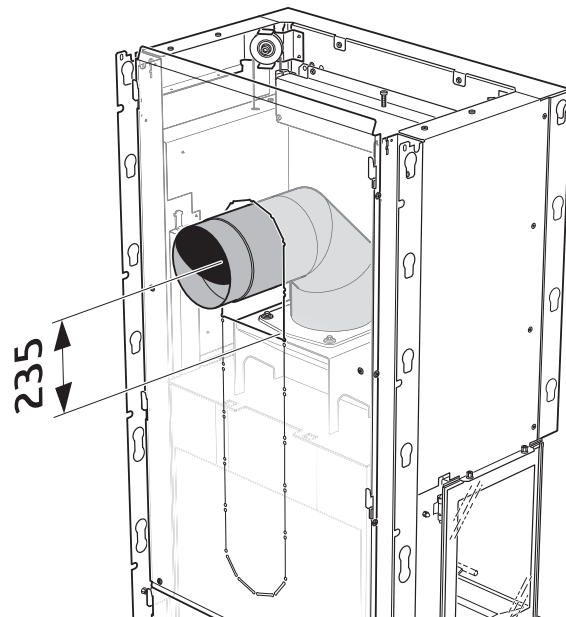
### Rear connection

If connecting at the rear, we recommend using a 45°+45° angle with a soot hatch and with the centre 235 mm above the sleeve.

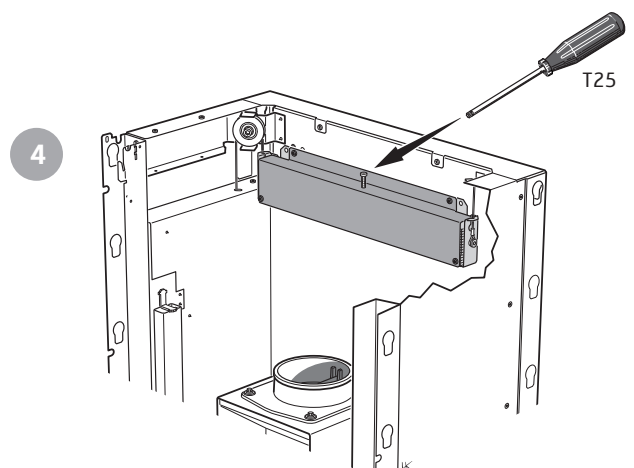
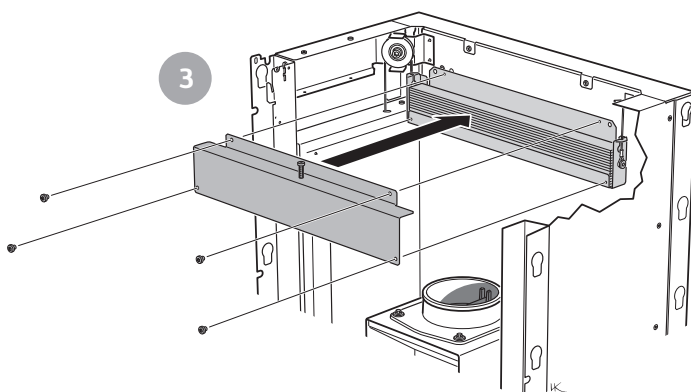
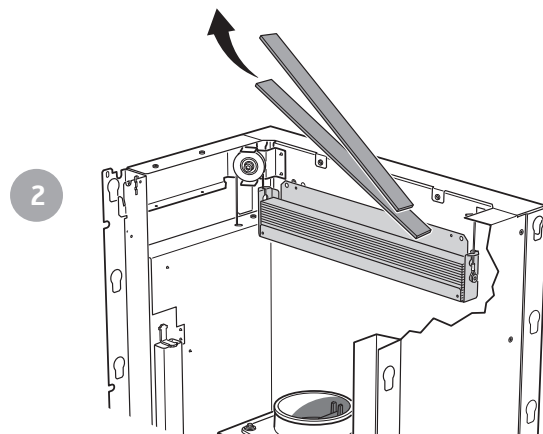
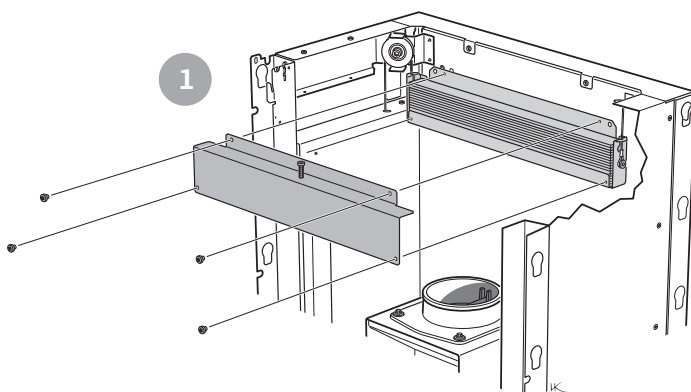
It is important that sweeping can be carried out through convection grates or a hatch in the surround.

Note that sharp bends and horizontal lengths in a flue pipe reduce the draft in the chimney. The maximum horizontal length of flue pipe allowed is 1 m, provided the flue pipe rises vertically for at least 5 m. It must be possible to sweep the full length of the flue, and the soot doors must be easily accessible.

If two fireplaces are connected to the same chimney flue, the stove must be fitted with a self-closing door.



### Self-closing door (ONLY APPLIES TO GERMANY)



# Recessing the insert

When recessing the insert, adjacent walls that are not classed as fire walls or are considered unsuitable for heat loads must be protected by non-combustible material according to the specification below.

All joints on the non-combustible material must be sealed using the manufacture's recommended method. The area between the insert and the recess must be ventilated according to the specification/dimension diagrams on page 97.

When connecting a steel flue, please refer to the particular manufacturer's installation instructions. Observe the safety distance to combustible material required by the steel flue Heat radiation from the door is strong and because of this combustible material must not be placed closer than 1.5 m in front of the door. When recessing, building material must not be in direct contact with the insert due to the thermal expansion of the insert. Note that building regulations apply regarding the area below and in front of the insert, see section "Hearth plate".

## Material requirements

- The building material must not be combustible.
- The thermal conductivity coefficient  $\lambda$  must be a maximum of 0.14 W/mK.
- The thickness of the building material must always be at least 100 mm.
- In cases where the building material's insulation properties are given as a U-Value, this must be a maximum of 1.4 W/ m<sup>2</sup>K.

- List of suitable materials:**
- Aerated concrete**  $\lambda = 0.12-0.14$
  - Vermiculite**  $\lambda = 0.12-0.14$
  - Calcium silicate**  $\lambda = 0.09$

## Sealing

The recess must not go all the way up to the ceiling, leave an air gap of at least 20 mm closest to the ceiling. The recess must be sealed off above the convection exhaust. The seal must be 100 mm above the convection exhaust's upper edge and must be made

of 100 mm non-flammable material according to the material requirements above. Use heat-resistant silicone, for example, between the seal and chimney.

## Convection air

The convection air ventilates the surround, cools the insert and transports the hot air out into the room. The effective cross section area on the air intake and exhaust must not be less than the stated values. The air intake must be positioned somewhere between floor level and the bottom of the insert, at the front or on the sides of the recess. The vent must be positioned above the insert's highest point at the front or to the sides of the recess.

**Convection air in: 600 cm<sup>2</sup>**  
**Convection air out: 600 cm<sup>2</sup>**

If the air intake respectively the vent is positioned on the sides, the areas for the left respectively right sides must be the same size to ensure that the insert is evenly cooled. The distance from the exhausts on the sides to the combustible wall behind must be 100 mm. Observe the minimum distance up to the ceiling (see diagram on page 97).

If the convection outlets are directed upwards the following applies

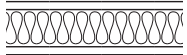
- the recess must be free-standing or placed against a non-combustible wall.
- the distance from the air outlet to combustible roof must be at least 750 mm.



### Service

Make sure it is possible to access the damper control and counterweight through hatches or ventilation grilles in the surround.

## Recess example

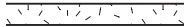


Wall of combustible material

Wall of non-combustible material, made of 100 mm aerated concrete in the recess example.



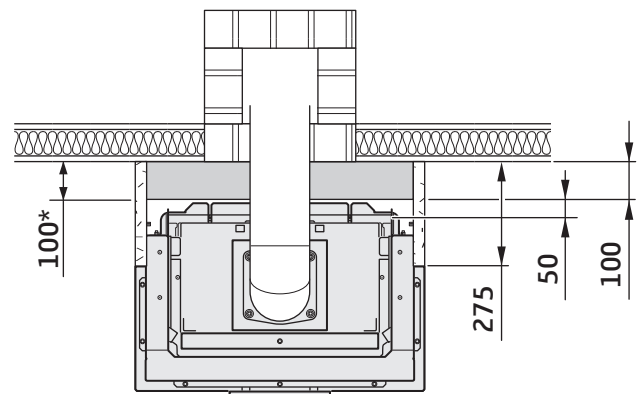
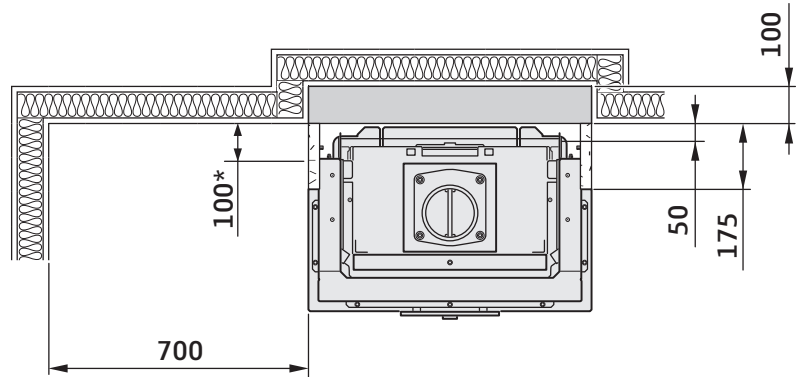
Chimney breast



Wall of non-combustible material that is not in contact with combustible material and therefore has no minimum thickness requirement.



Unless otherwise stated, these are the minimum dimensions.



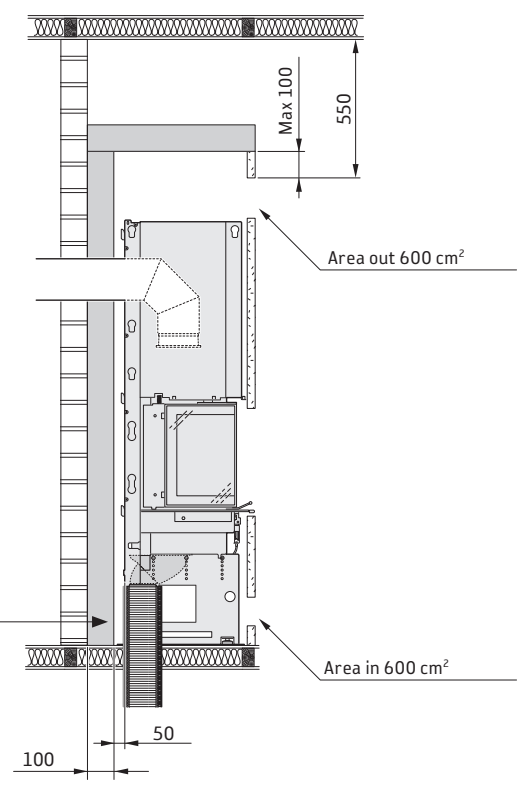
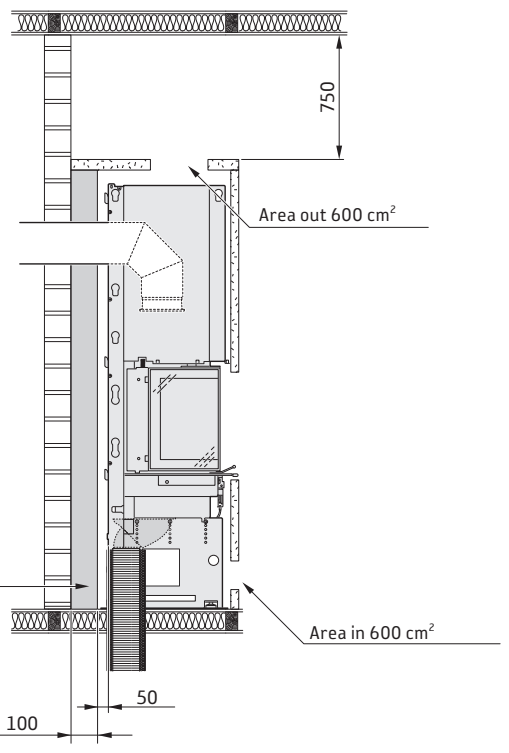
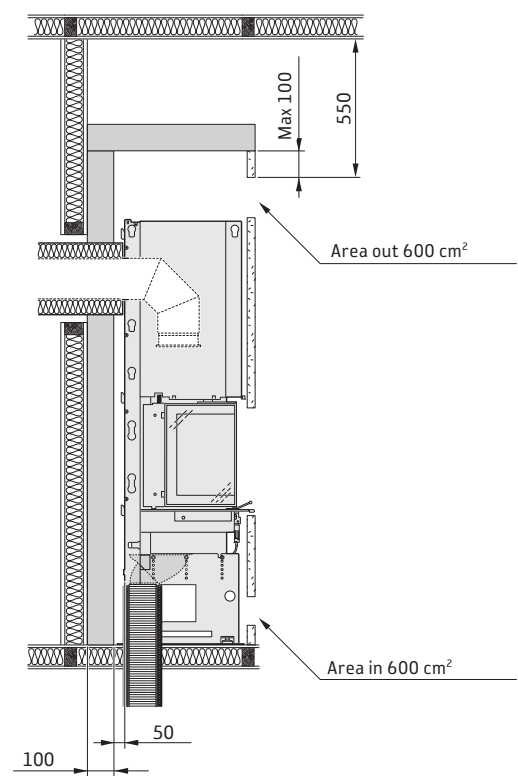
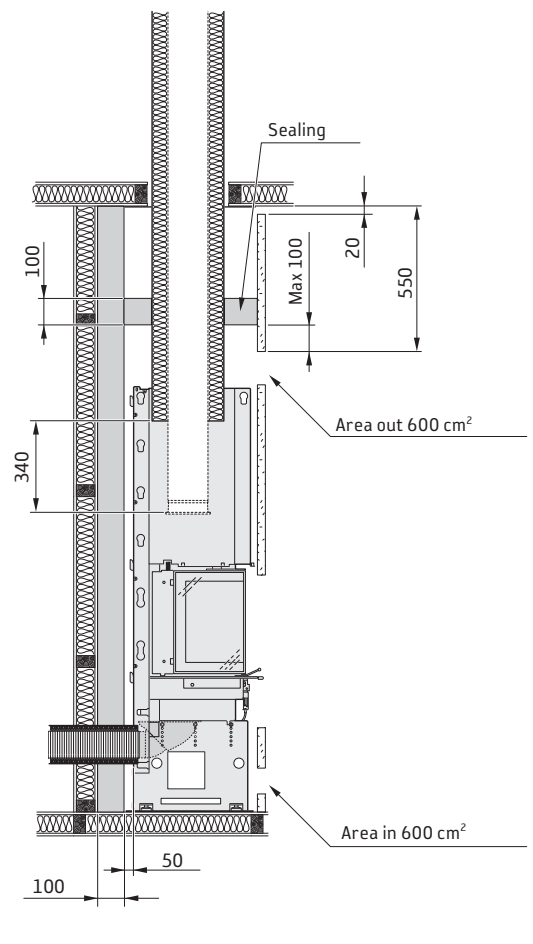
\* The distance between the exhausts on the sides and a combustible wall behind should be at least 100 mm.

### Final inspection of the installation

It is extremely important that the installation is inspected by an authorised inspection body before the stove is used. You should also read the "Lighting instructions" before lighting the stove for the first time.







Can be excluded if the chimney breast behind is approved and meets full safety requirements according to the authorized inspection body.



Always observe the safety distances to combustible material required by a steel flue



The dimensions are the minimum dimensions, unless otherwise stated.





811436 IAV SE-EX Ci50-1  
2021-09-14

# *Contura*

NIBE AB · Box 134 · 285 23 · Markaryd · Sweden  
[contura.eu](http://contura.eu)

Contura reserves the right to change dimensions and procedures specified in these instructions without prior notice. Access the latest version at [contura.eu](http://contura.eu)